

Operator's Manual

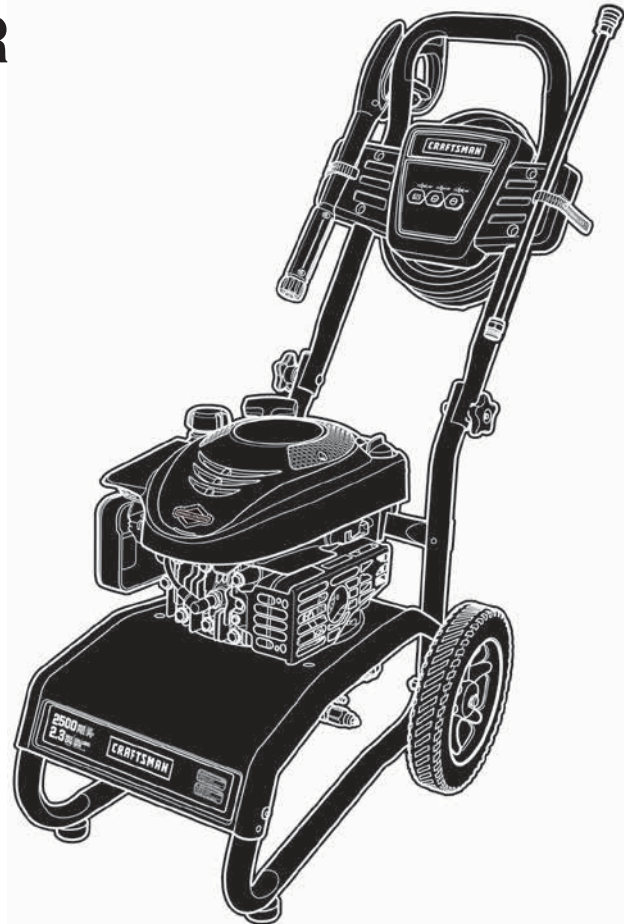
CRAFTSMAN®

2500 PSI @ 2.0 GPM MAX*

2000 PSI @ 2.3 GPM MAX*

PRESSURE WASHER

Model No. C950.672140



**PRESSURE WASHER
CUSTOMER HELPLINE
1-800-222-3136**

HOURS: Mon. - Fri. 8 a.m. to 5 p.m. (CT)



WARNING

Before using this product, read this manual and follow all Safety Rules and Operating Instructions.



AVERTISSEMENT

Avant d'utiliser ce produit, veuillez lire le manuel et suivre toutes les directives relatives à la sécurité et à l'utilisation.

- Safety
- Assembly
- Operation
- Maintenance
- Parts
- Français, p. 34

* This pressure washer is rated in accordance to the Pressure Washer Manufacturers Association (PWMA) standard PW101-2010 (Testing and Rating Performance of Pressure Washers).

* Les caractéristiques nominales de ce nettoyeur à haute pression sont conformes à la norme PW101-2010 de la Pressure Washer Manufacturers Association (PWMA) (Tests et performance nominale des nettoyeurs à haute pression).

Sears Canada, Inc.

Visit our Craftsman website: www.sears.ca

Part No. 317528 Rev A (04/16/2014)

TABLE OF CONTENTS

WARRANTY	2-3	STORAGE	22
SAFETY RULES	4-6	TROUBLESHOOTING	23
FEATURES AND CONTROLS	7	REPLACEMENT PARTS	24-30
ASSEMBLY	8-11	NOTES	31
OPERATION	12-15	EMISSION CONTROL WARRANTY	32-33
SPECIFICATIONS	16	ESPAÑOL	34-59
MAINTENANCE	17-21	HOW TO ORDER PARTS	BACK PAGE

WARRANTY

CRAFTSMAN LIMITED WARRANTY

General: Craftsman products are warranted to be free from defects in materials or workmanship for a specific time period as set-out below (the “Warranty Period”). Warranties extend to the original purchaser of a Craftsman product only. Purchases made through an online auction or through any website other than www.sears.ca are excluded. The relevant Warranty Period commences on the original date of purchase. Within this period, Sears Canada, Inc. will, at its sole option, repair or replace any products or components which fail in normal use. Such repairs or replacement will be made at no charge to the customer for parts or labor, provided that the customer shall be responsible for any transportation cost.

Exclusions: This warranty does not cover failures due to normal wear, abuse, misuse, neglect (including but not limited to the use of stale fuel, dirt, abrasives, moisture, rust, corrosion, or any adverse reaction due to improper storage or use habits), improper maintenance or failure to follow maintenance guidelines and/or instructions, failure to operate the product in accordance with the owner’s manual or any additional instructions or information provided at the time of purchase or in subsequent communications with the original purchaser, accident or unauthorized alterations or repairs made or attempted by others. Also excluded from warranty coverage – except as provided below - are the following: maintenance, adjustments, components subject to wear including but not limited to: cosmetic components, belts, blades, blade adapters, bulbs, tires, filters, guide bars, lubricants, seats, grips, recoil assembly’s, saw chains and bars, trimmer lines and spools, spark plugs, starter ropers and tines, and discoloration resulting from ultraviolet light. Any product missing the model and/or serial number identification label will be disqualified from coverage under this warranty.

Repairs: Repairs conducted within the Warranty Period will be warranted until the end of the original Warranty Period.

Disclaimers: THE WARRANTIES AND REMEDIES CONTAINED HEREIN ARE EXCLUSIVE AND IN LIEU OF ALL OTHER WARRANTIES, WHETHER ORAL OR WRITTEN (OTHER THAN AS STATED HEREIN), AND WHETHER EXPRESS, IMPLIED OR STATUTORY, INCLUDING BUT NOT LIMITED TO ANY. THIS WARRANTY GIVES YOU SPECIFIC LEGAL RIGHTS, WHICH MAY VARY FROM PROVINCE TO PROVINCE.

IN NO EVENT SHALL SEARS BE LIABLE FOR ANY INCIDENTAL, SPECIAL, INDIRECT OR CONSEQUENTIAL DAMAGES, WHETHER RESULTING FROM THE USE, MISUSE OR INABILITY TO USE THE PRODUCT OR FROM DEFECTS IN THE PRODUCT. THE EXCLUSIONS IN THIS PARAGRAPH SHALL NOT APPLY IN JURISDICTIONS WHERE APPLICABLE LAW DOES NOT ALLOW FOR THE EXCLUSION OF INCIDENTAL OR CONSEQUENTIAL DAMAGES. IN SUCH JURISDICTIONS, THIS PARAGRAPH SHALL NOT APPLY, BUT THE REMAINING PROVISIONS OF THIS DOCUMENT SHALL REMAIN VALID.

Sears retains the exclusive right to repair or replace the product or offer a full refund of the purchase price at its sole discretion. SUCH REMEDY SHALL BE YOUR SOLE AND EXCLUSIVE REMEDY FOR ANY BREACH OF WARRANTY.

Customer Responsibilities: In addition to complying with all suggested maintenance guidelines and instructions, customers' obligations shall include but shall not be limited to: operating the product in accordance with the owner's manual or any additional instructions or information provided at the time of purchase or in subsequent communications to the purchaser from time to time, exhibit reasonable care in the use, operation, maintenance, general upkeep and storage of the product. Failure to comply with these requirements will void any applicable warranty.

List of Applicable Warranty Periods: The following list contains the applicable Warranty Period for your Craftsman product and is based on a combination of the type of product or component and the intended and actual use of the product or component:

1. **90 days:** Craftsman products intended for use or actually used for commercial, institutional, professional or income-producing purposes.
2. **2 years:** Craftsman riding lawn mowers, yard and garden tractors, walk behind mowers, tillers, brush cutters, snow blowers, handheld blowers, backpack blowers, hedge trimmers and electrical products for noncommercial, nonprofessional, non-institutional, or non-income-producing use, except for those components which are part of engine systems manufactured by third party engine manufacturers for which the purchase has received a separate warranty with product information supplied at the time of purchase.
3. **1 year:** Craftsman pressure washers, power cutters, stump grinders, pole pruners, gas chain saws, electric chain saws, trimmer attachments, baggers and pole saws for noncommercial, nonprofessional, non-institutional, or non-income-producing use.
4. **90 days:** All defective batteries, which will be replaced during this 90-day Warranty Period.
5. **60 days:** Additional Warranty Period of 60 days will apply to adjustments and worn products or components BUT DOES NOT INCLUDE WEAR OR ADJUSTMENTS for products used for commercial, institutional, professional or income-producing purposes. Wear items include but are not limited to: belts, blades, tires, spark plugs, air filters, chains, shear bolts, skid plates, scraper bars, drift cutters, ropes, tines, collection bags and pulleys.

Service Type: Craftsman product is either Carry-in/Shop service or At Home service. The following list identifies the service by product type.

Shop Service:

Craftsman walk behind mowers, tillers, brush cutters, handheld blowers, backpack blowers, hedge trimmers, power cutters, stump grinders, pole pruners, gas chain saws, electric chain saws, trimmer attachments, baggers and pole saws

At Home Service:

Craftsman riding lawn mowers, yard and garden tractors and snow blowers

As the Warranty Period runs from the date of purchase and NOT from the date that a product is delivered, opened, assembled or first used, please ensure during this time period that your product or component has been assembled and tested for correction operation regardless of when you intend to actually use it. Claims made after the Warranty Period has expired will not be honored.

Proof of Purchase/Documentation: Warranty coverage is conditioned upon the original purchaser furnishing Sears Canada or its authorized third party service provider if applicable, with the original sales receipt or other adequate written proof of the original purchase date and identification of the product. In the event that the original purchaser is unable to provide a copy of the original sales receipt, Sears Canada Inc. reserves the right to determine in its sole discretion what other written proof of the original purchase date and identification of the product is acceptable.

SEARS CANADA INC., TORONTO, ONTARIO, CANADA M5B 2C3

SAFETY RULES



Read this manual carefully and become familiar with your pressure washer. Know its applications, its limitations, and any hazards involved.

Important Safety Information

Safety Symbols and Meanings



Operator's Manual



Toxic Fumes



Electrical Shock



Slippery Surface



Fall



Fluid Injection



Fire



Explosion



Kickback



Projectile



Moving Parts



Flying Objects



Chemical Burn



Hot Surface

▲ The safety alert symbol indicates a potential personal injury hazard. A signal word (DANGER, WARNING, or CAUTION) is used with the alert symbol to designate a degree or level of hazard seriousness. A safety symbol may be used to represent the type of hazard. The signal word *NOTICE* is used to address practices not related to personal injury.

▲ **DANGER** indicates a hazard which, if not avoided, *will* result in death or serious injury.

▲ **WARNING** indicates a hazard which, if not avoided, *could* result in death or serious injury.

▲ **CAUTION** indicates a hazard which, if not avoided, *could* result in minor or moderate injury.

NOTICE address practices not related to personal injury.

▲ **WARNING** The engine exhaust from this product contains chemicals known to the State of California to cause cancer, birth defects, or other reproductive harm.

▲ **WARNING** This product contains lead and lead compounds, known to the State of California to cause birth defects or other reproductive harm. *Wash your hands after handling this product.*

▲ **WARNING POISONOUS GAS HAZARD.**



Engine exhaust contains carbon monoxide, a poisonous gas that could kill you in minutes. You **CANNOT** smell it, see it, or taste it. Even if you do not smell exhaust fumes, you could still be exposed to carbon monoxide gas. Some chemicals or detergents could be harmful if inhaled or ingested, resulting in death, serious injury, nausea, fainting or poisoning.

- Operate this product **ONLY** outside far away from windows, doors and vents to reduce the risk of carbon monoxide gas from accumulating and potentially being drawn towards occupied spaces.
- Install battery-operated carbon monoxide alarms or plug-in carbon monoxide alarms with battery back-up according to the manufacturer's instructions. Smoke alarms cannot detect carbon monoxide gas.
- **DO NOT** run this product inside homes, garages, basements, crawlspaces, sheds, or other partially-enclosed spaces even if using fans or opening doors and windows for ventilation. Carbon monoxide can quickly build up in these spaces and can linger for hours, even after this product has shut off.
- **ALWAYS** place this product downwind and point the engine exhaust away from occupied spaces.

If you start to feel sick, dizzy, or weak while using this product, shut it off and get to fresh air **RIGHT AWAY**. See a doctor. You may have carbon monoxide poisoning.

- Use a respirator or mask whenever there is a chance that vapors may be inhaled when using chemicals.
- Read all instructions with mask so you are certain the mask will provide the necessary protection against inhaling harmful vapors when using chemicals.

▲ **WARNING** Chemical Burn Hazard.



Chemicals could cause burns resulting in death or serious injury.

- **DO NOT** use caustic liquid with pressure washer.
- Use **ONLY** pressure washer safe detergents/soaps. Follow all manufacturers instructions.

▲ WARNING Starter cord kickback (rapid retraction) will pull hand and arm toward engine faster than you can let go which could cause broken bones, fractures, bruises, or sprains resulting in serious injury.

- NEVER pull starter cord without first relieving spray gun pressure.
- When starting engine, pull cord slowly until resistance is felt and then pull rapidly to avoid kickback.
- After each starting attempt, where engine fails to run, always point spray gun in safe direction, press red button and squeeze spray gun trigger to release high pressure.
- Firmly grasp spray gun with both hands when using high pressure spray to avoid injury when spray gun kicks back.

▲ WARNING Risk of electrocution. Contact with power source could cause electric shock or burn resulting in death or serious injury.

- NEVER spray near power source.

▲ WARNING The high pressure stream of water that this equipment produces could cut through skin and its underlying tissues, resulting in serious injury and possible amputation. Spray gun traps high water pressure, even when engine is stopped and water is disconnected, which could result in serious injury.

- If cut by fluid, call physician immediately. DO NOT treat as a simple cut.
- DO NOT allow CHILDREN to operate pressure washer.
- NEVER repair high pressure hose. Replace it.
- NEVER repair leaking connections with sealant of any kind. Replace o-ring or seal.
- NEVER connect high pressure hose to nozzle extension.
- Keep high pressure hose connected to pump and spray gun while system is pressurized.
- ALWAYS point spray gun in safe direction, press red button and squeeze spray gun trigger to release high pressure, every time you stop engine.
- NEVER aim spray gun at people, animals, or plants.
- DO NOT secure spray gun in open position.
- DO NOT leave spray gun unattended while machine is running.
- NEVER use a spray gun which does not have a trigger lock or trigger guard in place and in working order.
- Always be certain spray gun, nozzles and accessories are correctly attached.

▲ WARNING Fuel and its vapors are extremely flammable and explosive which could cause burns, fire or explosion resulting in death or serious injury.

WHEN ADDING OR DRAINING FUEL

- Turn pressure washer engine OFF (0) and let it cool at least 2 minutes before removing fuel cap. Loosen cap slowly to relieve pressure in tank.
- Fill or drain fuel tank outdoors.
- DO NOT overfill tank. Allow space for fuel expansion.
- If fuel spills, wait until it evaporates before starting engine.
- Keep fuel away from sparks, open flames, pilot lights, heat, and other ignition sources.
- Check fuel lines, tank, cap and fittings frequently for cracks or leaks. Replace if necessary.
- DO NOT light a cigarette or smoke.

WHEN STARTING EQUIPMENT

- Ensure spark plug, muffler, fuel cap, and air cleaner are in place.
- DO NOT crank engine with spark plug removed.

WHEN OPERATING EQUIPMENT

- DO NOT operate this product inside any building, carport, porch, mobile equipment, marine applications, or enclosure.
- DO NOT tip engine or equipment at angle which causes fuel to spill.
- DO NOT spray flammable liquids.

WHEN TRANSPORTING, MOVING OR REPAIRING EQUIPMENT

- Transport/move/repair with fuel tank EMPTY or with fuel shutoff valve OFF (0).
- DO NOT tip engine or equipment at angle which causes fuel to spill.
- Disconnect spark plug wire.

WHEN STORING FUEL OR EQUIPMENT WITH FUEL IN TANK

- Store away from furnaces, stoves, water heaters, clothes dryers, or other appliances that have pilot light or other ignition source because they could ignite fuel vapors.

▲ WARNING Exhaust heat/gases could ignite combustibles, structures or damage fuel tank causing a fire, resulting in death or serious injury.



Contact with muffler area could cause burns resulting in serious injury.

- DO NOT touch hot parts and AVOID hot exhaust gases.
- Allow equipment to cool before touching.
- Keep at least 5 ft. (1.5 m) of clearance on all sides of pressure washer including overhead.
- It is a violation of California Public Resource Code, Section 4442, to use or operate the engine on any forest-covered, brush-covered, or grass-covered land unless the exhaust system is equipped with a spark arrester, as defined in Section 4442, maintained in effective working order. Other states or federal jurisdictions may have similar laws.

Contact the original equipment manufacturer, retailer, or dealer to obtain a spark arrester designed for the exhaust system installed on this engine.

- Replacement parts must be the same and installed in the same position as the original parts.

▲ WARNING Use of pressure washer could create puddles and slippery surfaces causing you to fall resulting in death or serious injury.



Kickback from spray gun could cause you to fall resulting in death or serious injury.

- Operate pressure washer from a stable surface.
- The cleaning area should have adequate slopes and drainage to reduce the possibility of a fall due to slippery surfaces.
- Be extremely careful if you must use the pressure washer from a ladder, scaffolding, or any other similar location.
- Firmly grasp spray gun with both hands when using high pressure spray to avoid injury when spray gun kicks back.

▲ WARNING Unintentional sparking could cause fire or electric shock resulting in death or serious injury.



WHEN ADJUSTING OR MAKING REPAIRS TO YOUR PRESSURE WASHER

- Disconnect the spark plug wire from the spark plug and place the wire where it cannot contact spark plug.

WHEN TESTING FOR ENGINE SPARK

- Use approved spark plug tester.
- DO NOT check for spark with spark plug removed.

▲ WARNING Starter and other rotating parts could entangle hands, hair, clothing, or accessories resulting in serious injury.



- NEVER operate pressure washer without protective housing or covers.
- DO NOT wear loose clothing, jewelry or anything that could be caught in the starter or other rotating parts.
- Tie up long hair and remove jewelry.

▲ WARNING Risk of eye or bodily injury. Spray could splash back or propel objects resulting in serious injury.



- Always wear indirect vented (chemical splash) safety goggles marked to comply with ANSI Z87.1 when using or in vicinity of this equipment.
- NEVER substitute safety glasses or dry-condition goggles for indirect vented safety goggles.
- Always wear protective clothing such as a long-sleeved shirt, long pants and close-toed shoes.
- NEVER operate pressure washer when barefoot or wearing sandals or shorts.

▲ CAUTION Excessively high operating speeds could result in minor injury.

Excessively low speeds impose a heavy load.

- DO NOT tamper with governor spring, links or other parts to increase engine speed. Pressure washer supplies correct rated pressure and flow when running at governed speed.
- DO NOT modify pressure washer in any way.

NOTICE High pressure spray could damage fragile items including glass.

- DO NOT point spray gun at glass when using red (0°) spray tip.
- NEVER aim spray gun at plants.

NOTICE Improper treatment of pressure washer could damage it and shorten its life.

- If you have questions about intended use, ask dealer or contact qualified service center.
- NEVER operate units with broken or missing parts, or without protective housing or covers.
- DO NOT by-pass any safety device on this machine.
- DO NOT tamper with governed speed.
- DO NOT operate pressure washer above rated pressure.
- DO NOT modify pressure washer in any way.
- Before starting pressure washer in cold weather, check all parts of the equipment to be sure ice has not formed there.
- NEVER move machine by pulling on hoses. Use handle provided on unit.
- This equipment is designed to be used with Sears authorized parts **ONLY**. If equipment is used with parts that DO NOT comply with minimum specifications, user assumes all risks and liabilities.

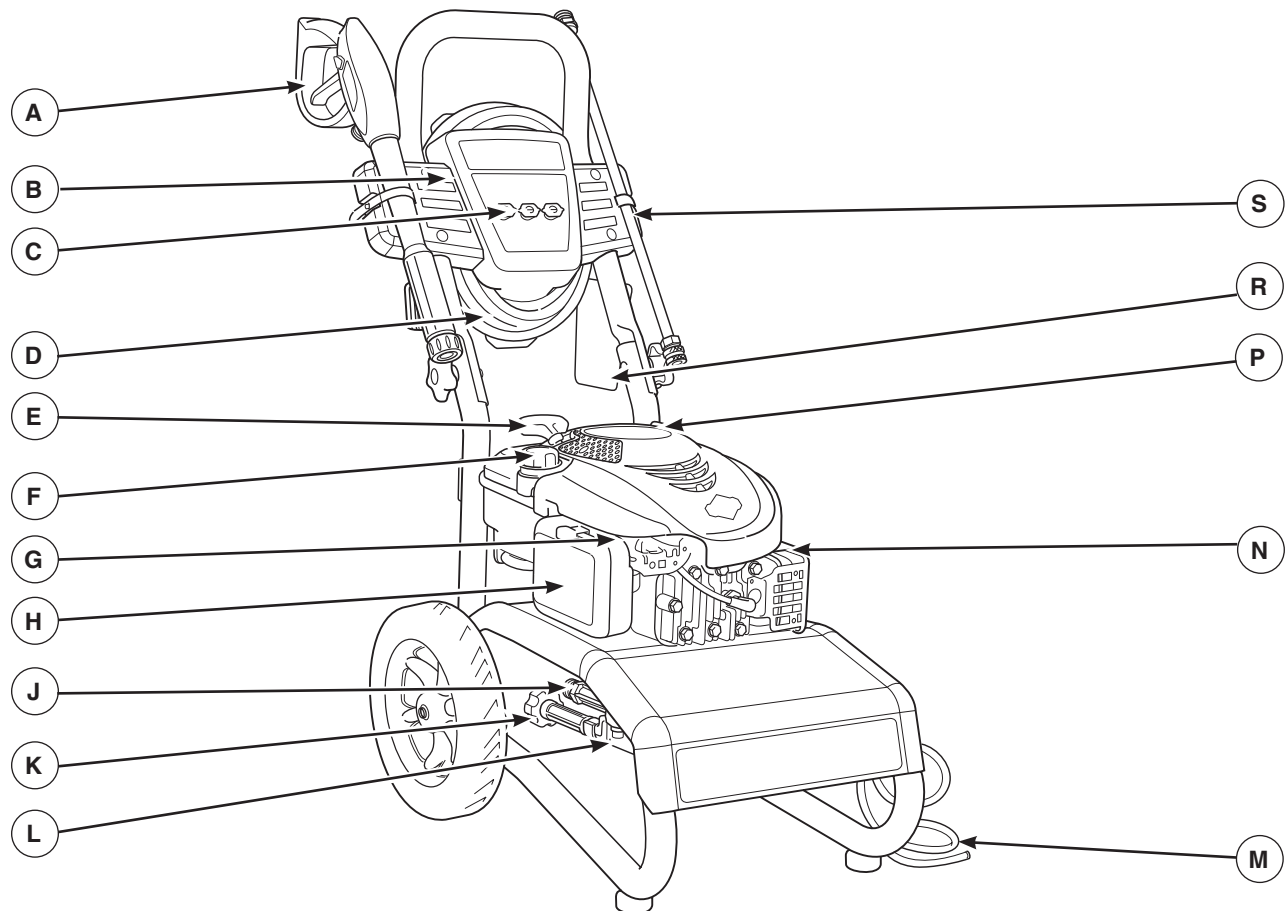
FEATURES AND CONTROLS

KNOW YOUR PRESSURE WASHER



Read the Operator's Manual and safety rules before operating your pressure washer.

Compare the illustrations with your pressure washer to familiarize yourself with the locations of various controls and adjustments. Save this manual for future reference.



A - Spray Gun — Controls the application of water onto cleaning surface with trigger device. Includes trigger lock.

B - Accessory Tray — Provides convenient storage for accessories, such as gun, spray tips, etc.

C - Spray Tips — Detergent, 0° and 25°: for various high pressure cleaning applications.

D - High Pressure Hose — Connect one end of hose to water pump and the other end to spray gun.

E - Recoil Starter — Used for starting the engine manually.

F - Fuel Tank — Fill tank with regular unleaded fuel. Always leave room for fuel expansion.

G - Throttle Lever — Sets engine in starting mode for recoil starter and stops a running engine.

H - Air Filter — Protects engine by filtering dust and debris out of intake air.

J - High Pressure Outlet — Connection for high pressure hose.

K - Water Inlet — Connection for garden hose.

L - Pump — Develops high pressure.

M - Detergent Siphoning Tube — Use to siphon pressure washer safe detergents into the low pressure stream.

N - Engine Identification — Provides model, type and code of engine. Please have these readily available if calling for assistance.

P - Oil Fill/Dipstick — Check, add and drain engine oil here.

R - Warning/Operating Instructions Tag — Identifies hazards and proper procedure to start/stop pressure washer.

S - Nozzle Extension with Quick Connect — Allows you to switch between three different spray tips.

Items Not Shown:

Identification Label (near rear of base plate) — Provides model and serial number of pressure washer. Please have these readily available if calling for assistance.

Automatic Cool Down System — Cycles water through pump when water reaches 125°-155°F. Warm water will discharge from pump onto ground. This system prevents internal pump damage.

ASSEMBLY

Your pressure washer requires some assembly and is ready for use only after it has been properly serviced with the recommended oil and fuel.

If you have any problems with the assembly of your pressure washer, please call the pressure washer helpline at 1-800-222-3136.

UNPACK THE PRESSURE WASHER

1. Remove everything from carton except pressure washer.
2. Open carton completely by cutting each corner from top to bottom.
3. Remove pressure washer from carton.

CARTON CONTENTS

Check all contents. If any parts are missing or damaged, call the pressure washer helpline at **1-800-222-3136**.

- Main Unit
- Handle
- Accessory Tray
- High Pressure Hose
- Spray Gun
- Nozzle Extension with Quick Connect Fitting
- Oil Pouch
- Parts Bag (which includes the following):
 - Operator's Manual
 - Owner's Registration Card
 - Rubber Straps (2)
 - Bag containing 3 multi-colored Spray Tips
 - Handle Fastening Hardware Kit (which includes):
 - Carriage Bolts (2)
 - Plastic Knobs (2)
 - Tree Clips (4)

Become familiar with each piece before assembling the pressure washer. Identify all contents with the illustration on page 7. If any parts are missing or damaged, call the pressure washer helpline at **1-800-222-3136**.

ASSEMBLING PRESSURE WASHER

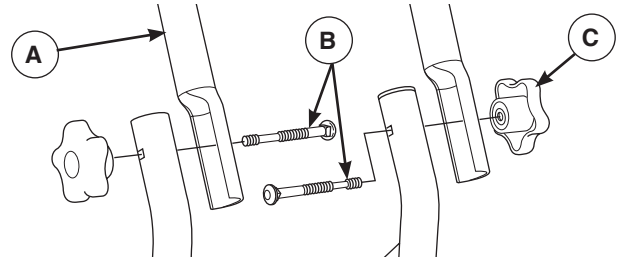
Your Craftsman pressure washer will need assembly before operation:

1. Fill out and send in registration card.
2. Attach handle and accessory tray.
3. Add oil to engine crankcase.
4. Add fuel to fuel tank.
5. Connect pressure hose to spray gun and pump.
6. Connect water supply to pump.

7. Attach nozzle extension to spray gun.
8. Select/attach quick connect spray tip to nozzle extension.

Attach Handle and Accessory Tray

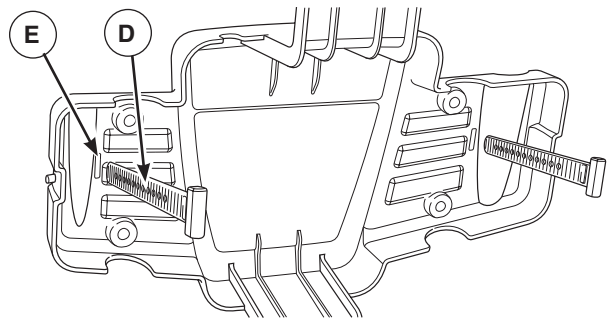
1. Place handle (A) onto handle supports connected to main unit. Make sure holes in handle align with holes on handle supports.



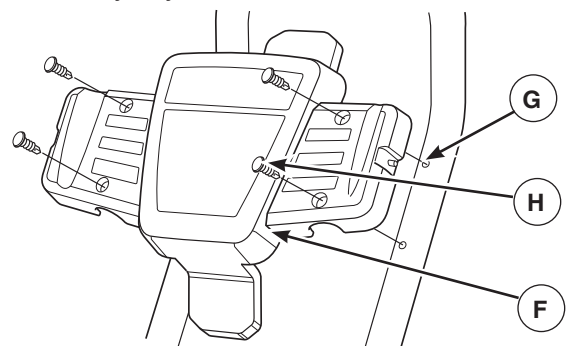
2. Insert handle carriage bolts (B) through holes from inside of unit and attach a plastic knob (C) from outside of unit. Tighten by hand.

NOTICE By loosening both knobs to the middle section of the attachment bolt, the upper handle can fold forward to store flat atop the cold engine. **DO NOT** fold the handle down while the engine is hot.

3. Insert rubber straps (D) through slots (E) in back of accessory tray and pull tight from front.



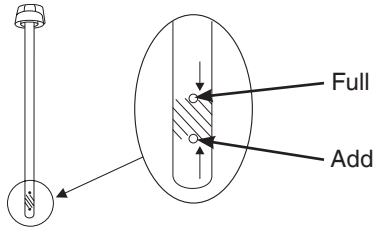
4. Place accessory tray (F) over holes (G) on handle (viewing from front of unit). Push the tree clips (H) into the holes until they sit flat against the accessory tray.



5. Insert multi-colored quick connect spray tips and other supplied accessories in spaces provided in accessory tray. See *How to Use Accessory Tray*.

Add Engine Oil

1. Place pressure washer on a flat, level surface.
2. Clean area around oil fill and remove yellow oil fill cap/dipstick.
3. Hold neck of supplied oil pouch and remove cap.
4. Slowly pour contents of oil pouch into oil fill opening. Checking oil level frequently, fill to FULL mark (top hole) on dipstick.



NOTICE Pause to permit oil to settle. Wipe dipstick clean each time oil level is checked. DO NOT overfill.

NOTICE Improper treatment of pressure washer could damage it and shorten its life.

- DO NOT attempt to crank or start the engine before it has been properly serviced with the recommended oil. This could result in an engine failure.

5. Replace oil fill cap/dipstick and fully tighten.

Add Fuel

Fuel must meet these requirements:

- Clean, fresh, unleaded gasoline.
- A minimum of 87 octane/87 AKI (91 RON). For high altitude use, see *High Altitude*.
- Gasoline with up to 10% ethanol (gasohol) is acceptable.

NOTICE Use of unapproved fuels could damage generator and voids warranty.

- DO NOT use unapproved gasoline such as E15 and E85.
- DO NOT mix oil in gasoline or modify engine to run on alternate fuels.

To protect the fuel system from gum formation, mix in a fuel stabilizer when adding fuel. See *Storage*. All fuel is not the same. If you experience starting or performance problems after using fuel, switch to a different fuel provider or change brands. This engine is certified to operate on gasoline. The emission control system for this engine is EM (Engine Modifications).

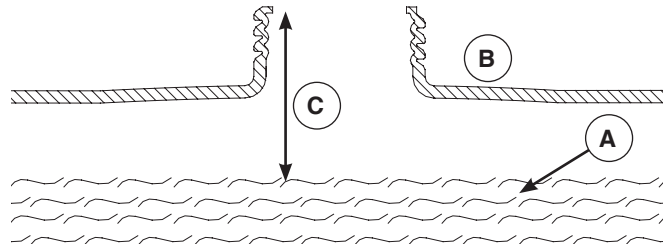
▲ WARNING Fuel and its vapors are extremely flammable and explosive which could cause burns, fire or explosion resulting in death or serious injury.



WHEN ADDING FUEL

- Turn pressure washer engine OFF (0) and let it cool at least 2 minutes before removing fuel cap. Loosen cap slowly to relieve pressure in tank.
- Fill fuel tank outdoors.
- DO NOT overfill tank. Allow space for fuel expansion.
- If fuel spills, wait until it evaporates before starting engine.
- Keep fuel away from sparks, open flames, pilot lights, heat, and other ignition sources.
- Check fuel lines, tank, cap and fittings frequently for cracks or leaks. Replace if necessary.
- DO NOT light a cigarette or smoke.

1. Clean area around fuel fill cap, remove cap.
2. Slowly add regular unleaded fuel (A) to fuel tank (B). Be careful not to overfill. Allow about 1.5" (4 cm) (C) of tank space for fuel expansion.



3. Install fuel cap and wait for any spilled fuel to evaporate.

CAUTION! Alcohol-blended fuels (called gasohol, ethanol or methanol) can attract moisture, which leads to separation and formation of acids during storage. Acidic gas can damage the fuel system of an engine while in storage.

To avoid engine problems, the fuel system should be treated with a fuel preserver or emptied before storage of 30 days or longer. If adding a fuel preserver, fill the fuel tank with fresh fuel. If only partially filled, air in the tank will promote fuel deterioration during storage. If fuel preserver is not used, drain the fuel tank, start the engine and let it run until the fuel lines and carburetor are empty. Use fresh fuel next season. See *Storage* for additional information.

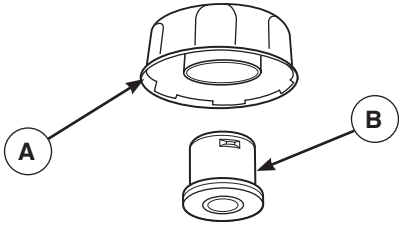
NEVER use engine or carburetor cleaner products in the fuel tank as permanent damage may occur.

High Altitude

At altitudes over 5,000 ft. (1524 m), a minimum 85 octane / 85 AKI (89 RON) gasoline is acceptable. To remain emissions compliant, high altitude adjustment is required. Operation without this adjustment will cause decreased performance, increased fuel consumption, and increased emissions. See a qualified Sears dealer for high altitude adjustment information. Operation of the engine at altitudes below 2,500 ft. (762 m) with the high altitude kit is not recommended.

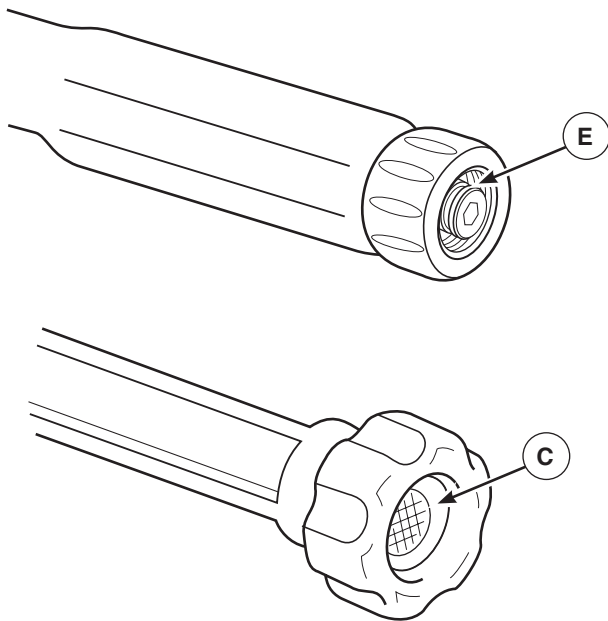
Fresh Start® Fuel Cap

The Fresh Start® fuel cap (A) is designed to hold a cartridge (B) which contains fuel preserver. Adding fuel preserver helps keep fuel fresh and carburetors clean for easier starting all season long. The Fresh Start® fuel cap, if equipped with a cartridge, automatically drips concentrated fuel preserver into your fuel tank so you don't have to add it yourself.



NOTICE Purchase a Fresh Start® fuel preserver cartridge at your local Sears or by calling **1-800-4-MY-HOME (469-4663)** or online at www.sears.ca. It is not included with the pressure washer.

Read and follow all instructions and warnings given in the Fresh Start® fuel preserver cartridge package.



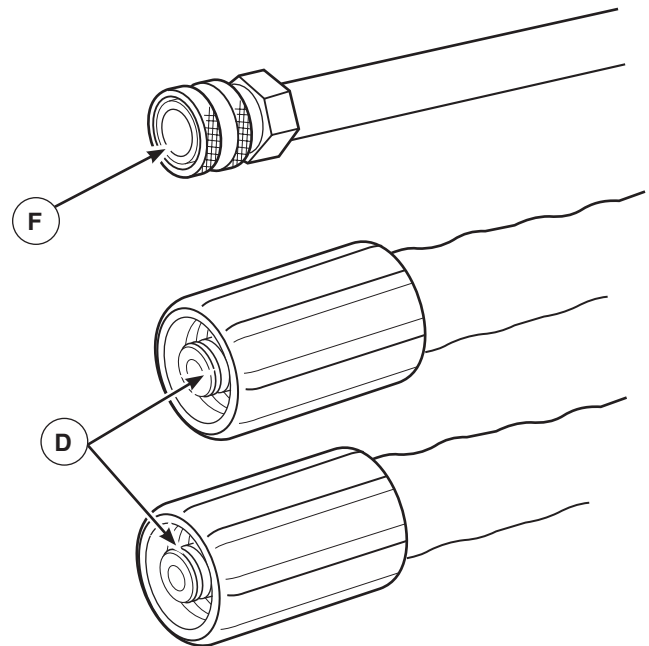
Lubricate O-Rings

Lubrication of o-rings is extremely important for installation and operation. The use of a lubricant (petroleum or synthetic grease) during assembly helps seat o-rings properly and provides an improved seal. It also helps protect the o-ring from damage by abrasion, pinching or cutting and extends the life of the o-ring.

NOTICE ALWAYS apply a small amount of lubricant on o-rings prior to assembling the garden hose to the pump (C), high pressure hose (D), spray gun (E), and nozzle extension (F).

Lubricate all connections shown below, following these instructions:

1. Inspect and clean connecting surfaces prior to lubrication and assembly.
2. Use lubricants sparingly during assembly; a light film is all that is required.
3. Use a small brush or cotton swab to apply grease directly to o-rings where they are not accessible (QC fitting, M22 fitting).



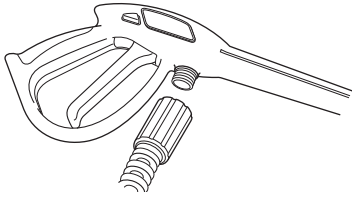
Connect Hose and Water Supply to Pump

NOTICE DO NOT run the pump without the water supply connected and turned on.

- Damage to equipment resulting from failure to follow this instruction will void warranty.

NOTICE Remove and discard the shipping caps from the pump's high pressure outlet and water inlet before attaching hoses.

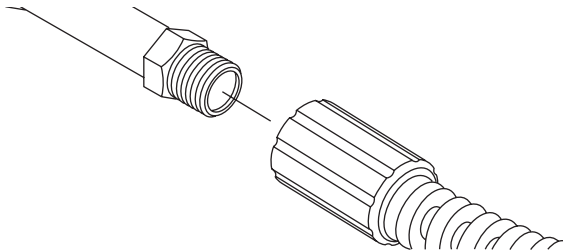
1. Uncoil high pressure hose and attach one end of hose to base of spray gun. Tighten by hand.



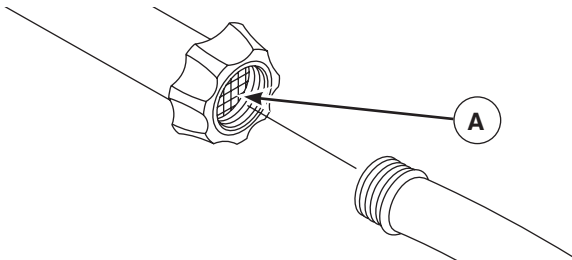
▲ WARNING The high pressure stream of water that this equipment produces could cut through skin and its underlying tissues, resulting in serious injury and possible amputation.

- NEVER connect high pressure hose to nozzle extension.
- Keep high pressure hose connected to pump and spray gun while system is pressurized.
- Always be certain spray gun, nozzles and accessories are correctly attached.

2. Attach other end of high pressure hose to high pressure outlet on pump. Tighten by hand.



3. Before connecting garden hose to water inlet, inspect inlet screen (A). Clean screen if it contains debris or have it replaced if damaged. **DO NOT run pressure washer if inlet screen is damaged or missing.**




4. Run water through your garden hose for 30 seconds to clean out any debris.

NOTICE DO NOT siphon standing water for the water supply. Use ONLY cold water (less than 100°F).

NOTICE Using a One Way Valve (vacuum breaker or check valve) at pump inlet could cause pump or inlet connector damage.

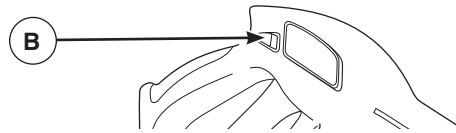
- There MUST be at least ten feet of unrestricted garden hose between the pressure washer inlet and any device, such as a vacuum breaker or check valve.
 - Damage to equipment resulting from failure to follow this instruction will void warranty.
5. Connect the garden hose (not to exceed 50 ft. in length) to the water inlet. Tighten by hand.

▲ WARNING Risk of eye injury.

 Spray could splash back or propel objects resulting in serious injury.

- Always wear indirect vented (chemical splash) safety goggles marked to comply with ANSI Z87.1 when using or in vicinity of this equipment.
- NEVER substitute safety glasses or dry-condition goggles for indirect vented safety goggles.

6. Turn on the water, press red button (B) on the gun and squeeze the trigger to purge the pump system of air and impurities.



Checklist Before Starting Engine

Review the unit to ensure you have performed all of the following:

1. Be sure to read *Safety Rules* and *Operation* sections before using the pressure washer.
2. Make sure handle is in place and secure.
3. Check that oil has been added to proper level in engine crankcase.
4. Add proper fuel to fuel tank.
5. Check for proper hose connections (high pressure and water supply) and that there are no kinks, cuts, or damage to the high pressure hose.
6. Provide proper water supply (not to exceed 100°F).

OPERATION


HOW TO USE YOUR PRESSURE WASHER

If you have any problems operating your pressure washer, please call the pressure washer helpline at 1-800-222-3136.

Pressure Washer Location

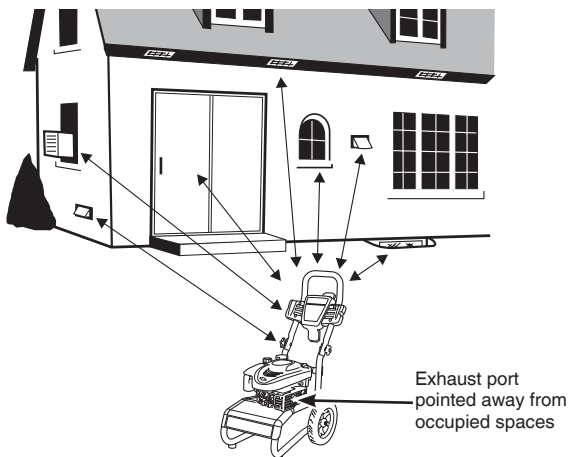
Carbon Monoxide Poisoning

▲ WARNING POISONOUS GAS HAZARD.

 Engine exhaust contains carbon monoxide, a poisonous gas that could kill you in minutes. You CANNOT smell it, see it, or taste it. Even if you do not smell exhaust fumes, you could still be exposed to carbon monoxide gas.

- Operate this product ONLY outside far away from windows, doors and vents to reduce the risk of carbon monoxide gas from accumulating and potentially being drawn towards occupied spaces.
- Install battery-operated carbon monoxide alarms or plug-in carbon monoxide alarms with battery back-up according to the manufacturer's instructions. Smoke alarms cannot detect carbon monoxide gas.
- DO NOT run this product inside homes, garages, basements, crawlspaces, sheds, or other partially-enclosed spaces even if using fans or opening doors and windows for ventilation. Carbon monoxide can quickly build up in these spaces and can linger for hours, even after this product has shut off.
- ALWAYS place this product downwind and point the engine exhaust away from occupied spaces.

If you start to feel sick, dizzy, or weak while using this product, shut it off and get to fresh air RIGHT AWAY. See a doctor. You may have carbon monoxide poisoning.



Risk of Fire Clearances

▲ WARNING Exhaust heat/gases could ignite combustibles, structures or damage fuel tank causing a fire, resulting in death or serious injury.

- Keep at least 5 ft. (1.5 m) clearance on all sides of pressure washer including overhead.

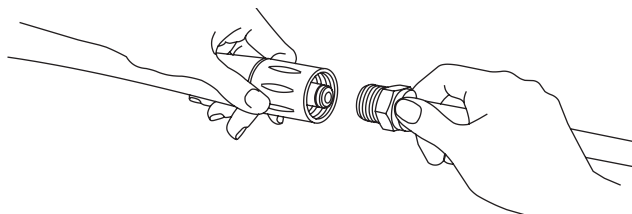
To Start Your Pressure Washer

To start your engine-powered pressure washer for the first time, follow these instructions step-by-step. This information also applies whenever you start the engine after you have let the pressure washer sit idle for at least a day.

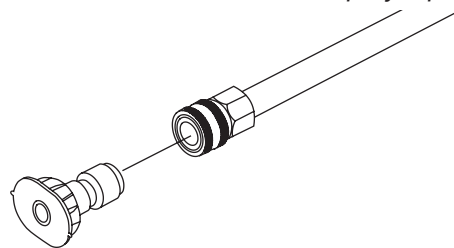
1. Place pressure washer outside near an water source capable of supplying water at a flow rate greater than 3.3 GPM (gallons per minute) and no less than 20 PSI (pounds per square inch) at pressure washer end of garden hose.
2. Check that high pressure hose is tightly connected to spray gun and pump. See *Assembly* for illustrations.
3. Make sure unit is in a level position.
4. Connect garden hose to water inlet on pressure washer pump.

NOTICE DO NOT run the pump without the water supply connected and turned on.

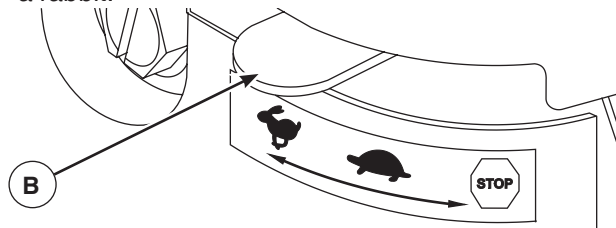
- Damage to equipment resulting from failure to follow this instruction will void warranty.
5. Turn on the water, press red button on the gun and squeeze the trigger to purge the pump system of air and impurities.
 6. Attach nozzle extension to spray gun. Tighten by hand.



7. Choose spray tip you want to use and insert it into nozzle extension. See *How to Use Spray Tips*.



8. Move throttle lever (B) to "Fast" position, shown as a rabbit.



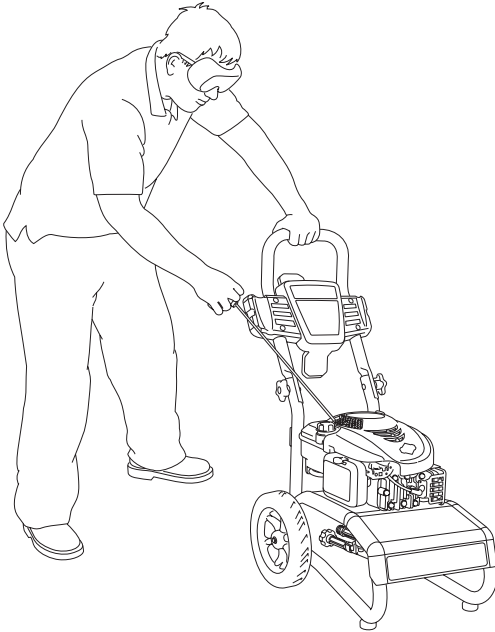
NOTICE Before starting the pressure washer, be sure you are wearing safety goggles as described below.

▲ WARNING Risk of eye injury. Spray could splash back or propel objects resulting in serious injury.

- Always wear indirect vented (chemical splash) safety goggles marked to comply with ANSI Z87.1 when using or in vicinity of this equipment.
- NEVER substitute safety glasses or dry-condition goggles for indirect vented safety goggles.

NOTICE This unit is equipped with a ReadyStart® engine. A ReadyStart® engine means there is no priming or choking required.

9. When starting engine, position yourself as recommended and grasp starter grip handle and pull slowly until you feel some resistance. Then pull rapidly to start engine.



▲ WARNING Starter cord kickback (rapid retraction) will pull hand and arm toward engine faster than you can let go which could cause broken bones, fractures, bruises, or sprains resulting in serious injury.

- NEVER pull starter cord without first relieving spray gun pressure.
- When starting engine, pull cord slowly until resistance is felt and then pull rapidly to avoid kickback.
- After each starting attempt, where engine fails to run, always point spray gun in safe direction, press red button and squeeze spray gun trigger to release high pressure.
- Firmly grasp spray gun with both hands when using high pressure spray to avoid injury when spray gun kicks back.

10. Return recoil starter slowly. DO NOT let rope “snap back” against starter.

NOTICE Always keep the throttle lever in the “Fast” position when operating the pressure washer.

▲ WARNING The high pressure stream of water that this equipment produces could cut through skin and its underlying tissues, resulting in serious injury and possible amputation.



Spray gun traps high water pressure, even when engine is stopped and water is disconnected, which could result in serious injury.

- DO NOT allow CHILDREN to operate pressure washer.
- Keep high pressure hose connected to pump and spray gun while system is pressurized.
- NEVER aim spray gun at people, animals, or plants.
- DO NOT secure spray gun in open position.
- DO NOT leave spray gun unattended while machine is running.
- NEVER use a spray gun which does not have a trigger lock or trigger guard in place and in working order.
- Always be certain spray gun, nozzles and accessories are correctly attached.

▲ WARNING Exhaust heat/gases could ignite combustibles, structures or damage fuel tank causing a fire, resulting in death or serious injury.



Contact with muffler area could cause burns resulting in serious injury.

- DO NOT touch hot parts and AVOID hot exhaust gases.
 - Allow equipment to cool before touching.
 - Keep at least 5 ft. (1.5 m) of clearance on all sides of pressure washer including overhead.
 - It is a violation of California Public Resource Code, Section 4442, to use or operate the engine on any forest-covered, brush-covered, or grass-covered land unless the exhaust system is equipped with a spark arrester, as defined in Section 4442, maintained in effective working order. Other states or federal jurisdictions may have similar laws.
- Contact the original equipment manufacturer, retailer, or dealer to obtain a spark arrester designed for the exhaust system installed on this engine.
- Replacement parts must be the same and installed in the same position as the original parts.

How to Stop Your Pressure Washer

1. Release spray gun trigger and let engine idle for two minutes.
2. Move throttle to SLOW position, then STOP position.
3. ALWAYS point spray gun in a safe direction, push red button and squeeze spray gun trigger to release retained high water pressure.

⚠ WARNING The high pressure stream of water that this equipment produces could cut through skin and its underlying tissues, resulting in serious injury and possible amputation.



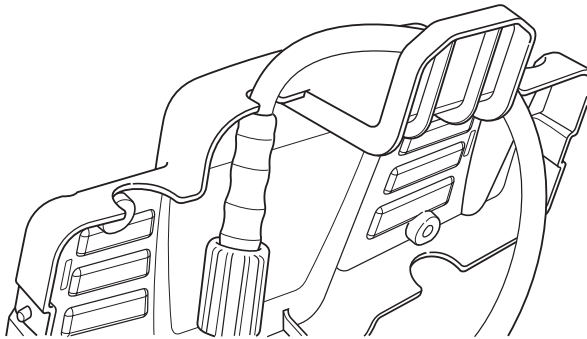
Spray gun traps high water pressure, even when engine is stopped and water is disconnected, which could result in serious injury.

- Keep high pressure hose connected to pump and spray gun while system is pressurized.
- ALWAYS point spray gun in safe direction, press red button and squeeze spray gun trigger to release high pressure, every time you stop engine.

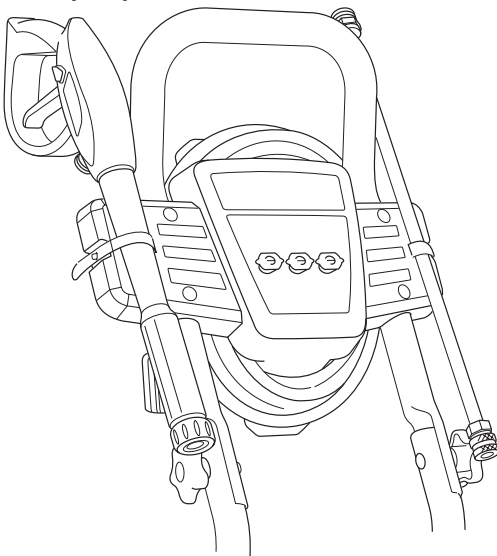
How to Use Accessory Tray

The unit is equipped with an accessory tray with places to store your spray gun, nozzle extension and quick connect spray tips. There are also hooks at the back of the accessory tray to wrap your high pressure hose.

1. Place one end of high pressure hose in groove at top of accessory tray and wrap high pressure hose around hooks as shown.



2. Place nozzle extension in groove on accessory tray as shown. Pull rubber strap tight around nozzle extension and place hole in strap over tab on accessory tray.



3. Place spray gun in groove on accessory tray as shown. Pull rubber strap tight around spray gun and place hole in strap over tab on accessory tray.

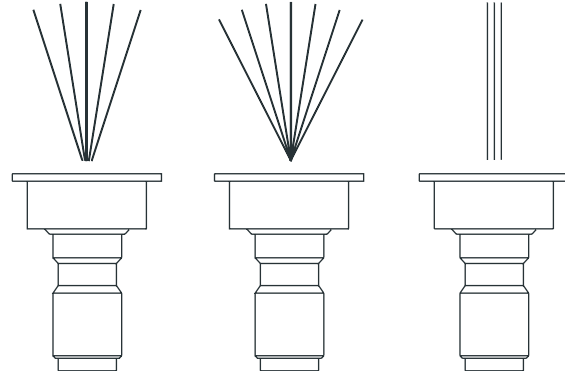
4. Insert multi-colored spray tips in holes provided on front of accessory tray.

How to Use Spray Tips

The quick-connect on the nozzle extension allows you to switch between three different quick connect spray tips. Spray tips can be changed while pressure washer is running once spray gun trigger lock is engaged. The spray tips vary the spray pattern as shown.

Low Pressure

High Pressure



Black

25° Green

0° Red

Use to apply
detergent

2000 PSI
2.3 GPM

2500 PSI
2.0 GPM

Follow these instructions to change spray tips:

1. Pull back collar on quick-connect and pull current spray tip off. Store spray tips in holes provided on the accessory tray.

⚠ WARNING The high pressure stream of water that this equipment produces could cut through skin and its underlying tissues, resulting in serious injury and possible amputation.



- NEVER exchange spray tips without the trigger lock being engaged on the spray gun.
- DO NOT twist spray tips while spraying.


2. Select desired spray tip:
 - For gentle rinse, select green 25° spray tip.
 - To scour surface, select red 0° spray tip.
 - To apply detergent, select black spray tip.

3. Pull back on collar, insert new spray tip and release collar. Tug on spray tip to make sure it is securely in place.

Usage Tips

- For most effective cleaning, keep spray tip from 8 to 24 inches (20 to 61 cm) away from cleaning surface.
- If you get spray tip too close, especially using a high pressure spray tip, you may damage surface being cleaned.
- DO NOT get closer than 6 inches (15 cm) when cleaning tires.

Cleaning and Applying Detergent

▲ WARNING Chemical Burn Hazard.
 Chemicals could cause burns resulting in death or serious injury.

- DO NOT use caustic liquid with pressure washer.
- Use ONLY pressure washer safe detergents/soaps. Follow all manufacturers instructions.

To apply detergent, follow these steps:

1. Review use of spray tips.
2. Prepare detergent solution as required by job.
3. Place detergent siphoning tube into detergent container.

NOTICE Make sure tube is fully submerged in detergent while applying detergent.

NOTICE Contact with hot muffler could damage detergent siphoning tube.

- When inserting siphon into a detergent solution bottle, route tube so as to keep it from inadvertently contacting the hot muffler.

4. Make sure black spray tip is installed.

NOTICE Detergent cannot be applied with high pressure spray tips (Green or Red).

5. Make sure garden hose is connected to water inlet. Check that high pressure hose is connected to spray gun and pump. Turn on water.

NOTICE You must attach all hoses before you start the engine.

- Starting the engine without all the hoses connected and without the water turned on could damage the pump.
- Damage to equipment resulting from failure to follow this instruction will void warranty.

6. Start engine following instructions *How to Start Your Pressure Washer*.
7. Apply detergent to a dry surface, starting at lower portion of area to be washed and work upward, using long, even, overlapping strokes.
8. Allow detergent to “soak in” for 3-5 minutes before washing and rinsing. Reapply as needed to prevent surface from drying. DO NOT allow detergent to dry on (prevents streaking).


NOTICE You must flush the detergent siphoning system after each use by placing the tube into a bucket of clean water, then run the pressure washer in low pressure for 1-2 minutes.

Pressure Washer Rinsing

For Rinsing:

1. Remove black spray tip from nozzle extension.
2. Select and install desired high pressure spray tip following instructions *How to Use Spray Tips*.

3. Keep the spray gun a safe distance from the area you plan to spray.


▲ WARNING Kickback from spray gun could cause you to fall resulting in death or serious injury.


- Operate pressure washer from a stable surface.
 - Be extremely careful if you must use the pressure washer from a ladder, scaffolding, or any other similar location.
 - Firmly grasp spray gun with both hands when using high pressure spray to avoid injury when spray gun kicks back.
4. Apply a high pressure spray to a small area and then check surface for damage. If no damage is found, you can assume it is okay to continue rinsing.
 5. Start at top of area to be rinsed, working down with same overlapping strokes as you used for cleaning.

Cleaning Detergent Siphoning Tube

If you used the detergent siphoning tube, you must flush it with clean water before stopping the engine.

1. Place detergent siphoning tube in a bucket full of clean water.
2. Remove high pressure spray tip from nozzle extension.
3. Select and install black detergent spray tip following instructions *How to Use Spray Tips*.
4. Flush for 1-2 minutes.
5. Shut OFF (0) engine following instructions *How to Stop Pressure Washer* and turn off water supply.
6. ALWAYS point spray gun in a safe direction push red button and squeeze spray gun trigger to release retained high water pressure.

▲ WARNING The high pressure stream of water that this equipment produces could cut through skin and its underlying tissues, resulting in serious injury and possible amputation.


Spray gun traps high water pressure, even when engine is stopped and water is disconnected, which could result in serious injury.

- Keep high pressure hose connected to pump and spray gun while system is pressurized.
- ALWAYS point spray gun in safe direction, press red button and squeeze spray gun trigger to release high pressure, every time you stop engine.

Automatic Cool Down System (Thermal Relief)

If you run the engine on your pressure washer for 3-5 minutes without pressing the trigger on the spray gun, circulating water in the pump can reach temperatures above 125°F. The system engages to cool the pump by **discharging the warm water onto the ground**.

SPECIFICATIONS

ENGINE TECHNICAL INFORMATION

This is a single cylinder, L-head, air cooled engine. In the State of California, Model 120000 engines are certified by the California Air Resources Board to meet emissions standards for 125 hours. Such certification does not grant the purchaser, owner or operator of this engine any additional warranties with respect to the performance or operational life of this engine. The engine is warranted solely according to the product and emissions warranties stated elsewhere in this manual.

Power Ratings

The gross power rating for individual gasoline engine models is labeled in accordance with SAE (Society of Automotive Engineers) code J1940 Small Engine Power & Torque Rating Procedure, and is rated in accordance with SAE J1995. Torque values are derived at 2600 RPM for those engines with "rpm" called out on the label and 3060 RPM for all others; horsepower values are derived at 3600 RPM. The gross power curves can be viewed at www.BRIGGSandSTRATTON.COM. Net power values are taken with exhaust and air cleaner installed whereas gross power values are collected without these attachments. Actual gross engine power will be higher than net engine power and is affected by, among other things, ambient operating conditions and engine-to-engine variability. Given the wide array of products on which engines are placed, the gasoline engine may not develop the rated gross power when used in a given piece of power equipment. This difference is due to a variety of factors including, but not limited to, the variety of engine components (air cleaner, exhaust, charging, cooling, carburetor, fuel pump, etc.), application limitations, ambient operating conditions (temperature, humidity, altitude), and engine-to engine variability. Due to manufacturing and capacity limitations, Briggs & Stratton may substitute an engine of higher rated power for this engine.

PRODUCT SPECIFICATIONS

Pressure Washer Specifications

Max Outlet Pressure 2,500 PSI @ 2.0 GPM*
Max Flow Rate 2,000 PSI @ 2.3 GPM*
Detergent Mix Use as directed
Water Supply Temperature Not to exceed 100°F

Engine Specifications

Bore 2.69 in. (68mm)
Stroke 2.04 in. (52mm)
Displacement 11.57 in. (190 cc)
Spark Plug
 Type: Briggs & Stratton 802592 or 5095
 Set Gap To: 0.030inch (0.76mm)
Armature Air Gap: 0.006-0.010 in.(0.15-0.25mm)
Valve clearance with valve springs installed and piston
1/4 in. (6 mm) past top dead center (check when engine
is cold).
Intake 0.005-0.007 in.(0.13-0.18 mm)
Exhaust 0.007-0.009 in.(0.18-0.23 mm)
Fuel Capacity 1.6 Quarts
Oil Capacity 18 Ounces (0.5 liter)

NOTICE For practical operation, the engine load should not exceed 85% of rated power. Engine power will decrease 3-1/2% for each 1,000 ft. (300 m) above sea level and 1% for each 10° F (5.6° C) above 77° F (25° C). It should operate satisfactorily at an angle up to 15°.

* This pressure washer is rated in accordance to the Pressure Washer Manufacturers Association (PWMA) standard PW101-2010 (Testing and Rating Performance of Pressure Washers).

This spark ignition system complies with the Canadian standard ICES-002.

MAINTENANCE

OWNER'S RESPONSIBILITIES

Follow the hourly or calendar intervals, whichever occurs first. More frequent service is required when operating in adverse conditions noted below.

First 5 Hours
<ul style="list-style-type: none">• Change engine oil
Every 8 Hours or Daily
<ul style="list-style-type: none">• Check/clean water inlet screen¹
<ul style="list-style-type: none">• Check high pressure hose
<ul style="list-style-type: none">• Check detergent siphoning tube
<ul style="list-style-type: none">• Check spray gun and assembly for leaks
<ul style="list-style-type: none">• Clean debris
<ul style="list-style-type: none">• Check engine oil level
Every 25 Hours or Yearly
<ul style="list-style-type: none">• Service engine air cleaner²
Every 50 Hours or Yearly
<ul style="list-style-type: none">• Change engine oil²
<ul style="list-style-type: none">• Inspect muffler and spark arrester
Every 100 Hours or Yearly
<ul style="list-style-type: none">• Service spark plug
<ul style="list-style-type: none">• Clean cooling system²

¹ Clean if clogged. Replace if perforated or torn.

² Service more often under dirty or dusty conditions.

General Recommendations

Regular maintenance will improve the performance and extend the life of the pressure washer. See any Sears or other qualified service dealer for service.

The pressure washer warranty does not cover items that have been subjected to operator abuse or negligence. To receive full value from the warranty, the operator must maintain pressure washer as instructed in this manual including proper storage as detailed in *Storage*.

Some adjustments will need to be made periodically to properly maintain your pressure washer.

All service and adjustments should be made at least once each season. A new spark plug and clean air filter assure proper fuel-air mixture and help your engine run better and last longer. Follow the requirements in the *Maintenance Schedule* chart above.

Pump Oil

DO NOT attempt any oil maintenance on this pump. The pump is pre-lubricated and sealed from the factory, requiring no additional maintenance for the life of the pump.

Emissions Control

Maintenance, replacement, or repair of the emissions control devices and systems may be performed by any non-road engine repair establishment or individual. However, to obtain "no charge" emissions control service, the work must be performed by a factory authorized dealer. See the *Emissions Warranty*.

Before Each Use

1. Check engine oil level.
2. Clean debris.
3. Check water inlet screen for damage.
4. Check high pressure hose for leaks.
5. Check detergent siphoning tube for damage.
6. Check gun and nozzle extension assembly for leaks.
7. Purge pump of air and contaminants.

PRESSURE WASHER MAINTENANCE

Clean Debris

Daily or before use, clean accumulated debris from pressure washer. Keep linkage, spring and controls clean. Keep area around and behind muffler free from any combustible debris. Inspect cooling air slots and openings on the pressure washer. These openings must be kept clean and unobstructed.

Pressure washer parts should be kept clean to reduce the risk of overheating and ignition of accumulated debris.

- Use a damp cloth to wipe exterior surfaces clean.

NOTICE Improper treatment of pressure washer could damage it and shorten its life.

- DO NOT insert any objects through cooling slots.

- Use a soft bristle brush to loosen caked on dirt, oil, etc.
- Use a vacuum cleaner to pick up loose dirt and debris.

Check and Clean Inlet Screen

Examine garden hose inlet screen. Clean if it is clogged or replace if it is torn.

Check High Pressure Hose

High pressure hoses can develop leaks from wear, kinking, or abuse. Inspect hose before each use. Check for cuts, leaks, abrasions, bulging of cover, or damage or movement of couplings. If any of these conditions exist, replace hose immediately.

⚠ WARNING The high pressure stream of water that this equipment produces could cut through skin and its underlying tissues, resulting in serious injury and possible amputation.

- NEVER repair high pressure hose. Replace it.
- Replacement hose rating MUST equal or exceed maximum pressure rating of unit.

Check Detergent Siphoning Tube

Examine detergent tube and clean if clogged. The tube should fit tightly on the barbed fitting. Examine the tube for leaks or tears. Replace the tube if damaged.

Detergent Siphoning Check Ball

Occasionally check ball in detergent siphoning system may become stuck from storage, dried soap, or minerals in water. The check ball can be freed by performing the following:

NOTICE Before performing this procedure, be sure you are wearing safety goggles as described below.

⚠ WARNING Risk of eye injury. Spray could splash back or propel objects resulting in serious injury.

- Always wear indirect vented (chemical splash) safety goggles marked to comply with ANSI Z87.1 when using or in vicinity of this equipment.
- NEVER substitute safety glasses or dry-condition goggles for indirect vented safety goggles.

1. Shut OFF (0) engine and turn off water supply.
2. ALWAYS point spray gun in a safe direction, press red button and squeeze spray gun trigger to release retained high water pressure.

⚠ WARNING The high pressure stream of water that this equipment produces could cut through skin and its underlying tissues, resulting in serious injury and possible amputation.

Spray gun traps high water pressure, even when engine is stopped and water is disconnected, which could result in serious injury.

- Keep high pressure hose connected to pump and spray gun while system is pressurized.
- ALWAYS point spray gun in safe direction, press red button and squeeze spray gun trigger to release high pressure, every time you stop engine.

3. Remove detergent siphoning hose from barbed fitting on pump.

4. Using a firm, blunt object 7/64" in diameter or smaller, by at least 1" long, such as an Allen wrench, slowly insert the object into the barbed fitting until you meet resistance. This resistance is the check ball.
5. Slowly push down until you feel the ball move slightly, push no more than 1/8". Slight pressure may be required to free the ball.
6. Repeat steps 4 and 5 if necessary.
7. Reinstall detergent siphoning hose onto barb fitting.
8. Treat with PumpSaver as described in *Protecting the Pump* during storage to prevent reoccurrence.

Check Spray Gun and Nozzle Extension

Examine hose connection to spray gun and make sure it is secure. Test trigger by pressing it and making sure it springs back into place when you release it. Do not depress red button and test trigger. You should not be able to press trigger. Replace spray gun immediately if it fails any of these tests.

Spray Tip Maintenance

A pulsing sensation felt while squeezing the spray gun trigger may be caused by excessive pump pressure. The principal cause of excessive pump pressure is a spray tip clogged or restricted with foreign materials, such as dirt, etc. To correct the problem, immediately clean the spray tip following these instructions:

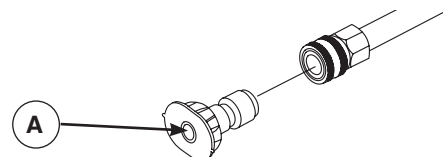
1. Shut OFF (0) engine and turn off water supply.
2. ALWAYS point spray gun in a safe direction, press red button and and squeeze spray gun trigger to release retained high water pressure.

⚠ WARNING The high pressure stream of water that this equipment produces could cut through skin and its underlying tissues, resulting in serious injury and possible amputation.

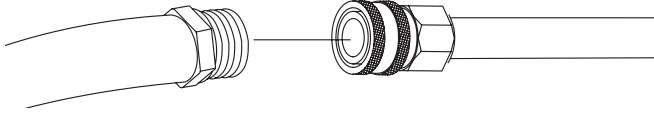
Spray gun traps high water pressure, even when engine is stopped and water is disconnected, which could result in serious injury.

- Keep high pressure hose connected to pump and spray gun while system is pressurized.
- ALWAYS point spray gun in safe direction, press red button and squeeze spray gun trigger to release high pressure, every time you stop engine.

3. Remove spray tip from end of nozzle extension.
4. Use a small paper clip to free any foreign material clogging or restricting spray tip (A).



- Remove nozzle extension from spray gun.
- Using a garden hose, remove additional debris by back flushing water through nozzle extension. Back flush between 30 to 60 seconds.



- Reinstall spray tip into nozzle extension.
- Reconnect nozzle extension to spray gun.
- Make sure garden hose is connected to water inlet. Check that high pressure hose is connected to spray gun and pump. Turn on water.
- Start engine following instructions *How to Start Your Pressure Washer*.
- Test pressure washer by operating with each quick connect spray tip.

O-Ring Maintenance

Purchase an O-Ring Repair Kit at your local Sears or by calling **1-800-4-MY-HOME (469-4663)** or online at www.sears.ca. It is not included with the pressure washer. This kit includes replacement o-rings, rubber washer and water inlet filter. Refer to the instruction sheet provided in the kit to service your unit's o-rings.

▲ WARNING The high pressure stream of water that this equipment produces could cut through skin and its underlying tissues, resulting in serious injury and possible amputation.

- NEVER repair leaking connections with sealant of any kind. Replace o-ring or seal.

ENGINE MAINTENANCE

▲ WARNING Unintentional sparking could cause fire or electric shock resulting in death or serious injury.

WHEN ADJUSTING OR MAKING REPAIRS TO YOUR PRESSURE WASHER

- Disconnect the spark plug wire from the spark plug and place the wire where it cannot contact spark plug.

WHEN TESTING FOR ENGINE SPARK

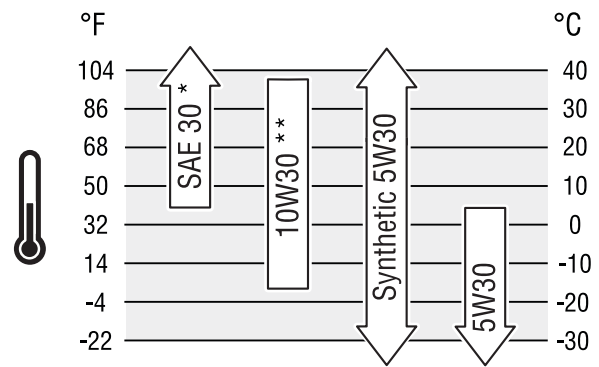
- Use approved spark plug tester.
- DO NOT check for spark with spark plug removed.

Oil

Oil Recommendations

We recommend the use of Briggs & Stratton Warranty Certified oils for best performance. Other high-quality detergent oils are acceptable if classified for service SF, SG, SH, SJ or higher. DO NOT use special additives.

Outdoor temperatures determine the proper oil viscosity for the engine. Use the chart to select the best viscosity for the outdoor temperature range expected.



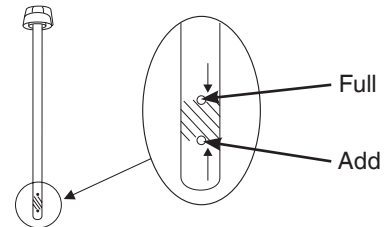
* Below 40°F (4°C) the use of SAE 30 will result in hard starting.

** Above 80°F (27°C) the use of 10W30 may cause increased oil consumption. Check oil level more frequently.

Checking Oil Level

Oil level should be checked prior to each use or at least every 8 hours of operation. Keep oil level maintained.

- Make sure pressure washer is on a level surface.
- Remove oil dipstick and wipe dipstick with clean cloth. Replace and tighten dipstick. Remove and check oil level.
- Verify oil is at FULL mark (top hole) on dipstick. Replace and tighten dipstick.



Adding Engine Oil

- Make sure pressure washer is on a level surface.
- Check oil level as described in *Checking Oil Level*.
- If needed, slowly pour oil into oil fill opening to the FULL mark on dipstick. DO NOT overfill.

NOTICE Overfilling with oil could cause the engine to not start, or hard starting.

- DO NOT overfill.
- If over the FULL mark on dipstick, drain oil to reduce oil level to FULL mark on dipstick.

- Replace and tighten dipstick.

Changing Engine Oil

If you are using your pressure washer under extremely dirty or dusty conditions, or in extremely hot weather, change oil more often.

▲ CAUTION Avoid prolonged or repeated skin contact with used motor oil.

- Used motor oil has been shown to cause skin cancer in certain laboratory animals.
- Thoroughly wash exposed areas with soap and water.



KEEP OUT OF REACH OF CHILDREN.
DON'T POLLUTE. CONSERVE
RESOURCES. RETURN USED OIL TO
COLLECTION CENTERS.

Change oil while engine is still warm from running, as follows:

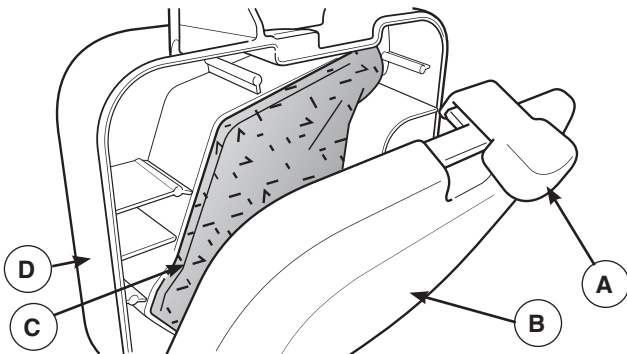
1. Drain fuel tank by running pressure washer until fuel tank is empty.
2. Disconnect spark plug wire and keep it away from spark plug.
3. Clean area around oil fill, remove oil fill cap/ dipstick. Wipe dipstick clean.
4. Tip your pressure washer to drain oil from oil fill into a suitable container making sure you tip your unit away from spark plug. When crankcase is empty, return pressure washer to upright position.
5. Slowly pour recommended oil (about 18 oz.) into oil fill opening. Pause to permit oil to settle. Fill to FULL mark (top hole) on dipstick.
6. Wipe dipstick clean each time oil level is checked. DO NOT overfill.
7. Replace and tighten dipstick.
8. Wipe up any remaining oil.
9. Reconnect spark plug wire to spark plug.

Service Air Cleaner

Your engine will not run properly and may be damaged if you run it with a dirty air cleaner. Service more often if operating under dirty or dusty conditions. Replacements are available at your local Sears service center.

To service the air cleaner, follow these steps:

1. Slide air cleaner lever (A) to unlock (☑) position and tilt cover (B) down.



2. Carefully remove air cleaner to prevent debris from falling into carburetor.
3. Wash foam air cleaner (C) in liquid detergent and water. Squeeze dry in a clean cloth.
4. SATURATE foam air cleaner in engine oil and squeeze in a clean cloth to remove excess oil.

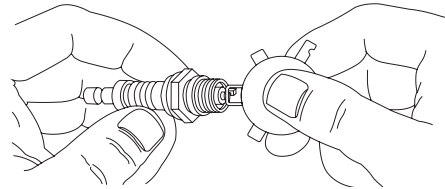
5. Reinstall clean or new foam air cleaner in base (D).
6. Tilt cover up and slide lever to lock (☒) position.

NOTICE You can purchase new air filter elements by calling **1-800-4-MY-HOME (469-4663)**.

Service Spark Plug

Changing the spark plug will help your engine to start easier and run better.

1. Clean area around spark plug.
2. Remove and inspect spark plug.
3. Replace spark plug if electrodes are pitted, burned or porcelain is cracked. Use the recommended replacement plug. See *Specifications*.
4. Check electrode gap with wire feeler gauge and reset spark plug gap to recommended gap if necessary (see *Specifications*).



5. Install spark plug and tighten firmly.

NOTICE You can purchase a new spark plug by calling **1-800-4-MY-HOME (469-4663)**.

Inspect Muffler and Spark Arrester

Inspect the muffler for cracks, corrosion, or other damage. Remove the spark arrester, if equipped, and inspect for damage or carbon blockage. If replacement parts are required, make sure to use only original equipment replacement parts.

▲ WARNING Exhaust heat/gases could ignite combustibles, structures or damage fuel tank causing a fire, resulting in death or serious injury.



Contact with muffler area could cause burns resulting in serious injury.

- DO NOT touch hot parts and AVOID hot exhaust gases.
- Allow equipment to cool before touching.
- Keep at least 5 ft. (1.5 m) of clearance on all sides of pressure washer including overhead.
- It is a violation of California Public Resource Code, Section 4442, to use or operate the engine on any forest-covered, brush-covered, or grass-covered land unless the exhaust system is equipped with a spark arrester, as defined in Section 4442, maintained in effective working order. Other states or federal jurisdictions may have similar laws.

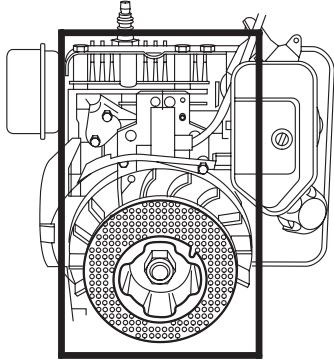
Contact the original equipment manufacturer, retailer, or dealer to obtain a spark arrester designed for the exhaust system installed on this engine.

- Replacement parts must be the same and installed in the same position as the original parts.

Air Cooling System

Over time debris may accumulate in cylinder cooling fins and cannot be observed without partial engine disassembly. For this reason, we recommend you have a qualified Sears service dealer clean the cooling system per recommended intervals (see *Maintenance Schedule*). Equally important is to keep top of engine free from debris. See *Clean Debris*.

Keep areas within heavy line clear of debris.



Carburetor Adjustment

The carburetor on this engine is low emission. It is equipped with a non-adjustable idle mixture valve. Top speed has been set at the factory. If adjustment is required, see an authorized service dealer.

- ▲ CAUTION** Excessively high operating speeds could result in minor injury. Excessively low speeds impose a heavy load.
- DO NOT tamper with governor spring, links or other parts to increase engine speed. Pressure washer supplies correct rated pressure and flow when running at governed speed.
 - DO NOT modify pressure washer in any way.

AFTER EACH USE

Water should not remain in the unit for long periods of time. Sediments or minerals can deposit on pump parts and “freeze” pump action. Follow these procedures after every use:

1. Shut OFF (0) engine, turn off water supply, point gun in a safe direction, press red button and squeeze trigger to relieve trapped pressure and let engine cool.

▲ WARNING The high pressure stream of water that this equipment produces could cut through skin and its underlying tissues, resulting in serious injury and possible amputation.

Spray gun traps high water pressure, even when engine is stopped and water is disconnected, which could result in serious injury.

- Keep high pressure hose connected to pump and spray gun while system is pressurized.
 - ALWAYS point spray gun in safe direction, press red button and squeeze spray gun trigger to release high pressure, every time you stop engine.
2. Disconnect hose from spray gun and high pressure outlet on pump. Drain water from hose, gun, and nozzle extension. Use a rag to wipe off the hose.
 3. Place the spray gun and nozzle extension in the accessory tray. Hang high pressure hose on hook attached to accessory tray.
 4. Empty pump of all pumped liquids by pulling recoil handle about 6 times. This should remove most liquid in pump.
 5. Store unit in a clean, dry area.
 6. If storing for more than 30 days see *Long Term Storage* on next page.

▲ WARNING Fuel and its vapors are extremely flammable and explosive which could cause burns, fire or explosion resulting in death or serious injury.

WHEN STORING FUEL OR EQUIPMENT WITH FUEL IN TANK

- Store away from furnaces, stoves, water heaters, clothes dryers, or other appliances that have pilot light or other ignition source because they could ignite fuel vapors.

STORAGE

WINTER STORAGE

NOTICE You must protect your unit from freezing temperatures.

- Failure to do so will permanently damage your pump and render your unit inoperable.
- Freeze damage is not covered under warranty.

To protect the unit from freezing temperatures:

1. Follow steps 1-4 in the previous section *After Each Use*.
2. Use pump saver to treat pump. This minimizes freeze damage and lubricates pistons and seals.
3. If pump saver is not available, connect a 3-foot section of garden hose to water inlet adapter. Pour RV-antifreeze (antifreeze without alcohol) into hose. Pull recoil handle twice. Disconnect 3-foot hose.
4. Store unit in a clean, dry area.

LONG TERM STORAGE

If you do not plan to use the pressure washer for more than 30 days, you must prepare the engine and pump for long term storage.

Protect Fuel System

Fuel Additive:

Fuel can become stale when stored over 30 days. Stale fuel causes acid and gum deposits to form in the fuel system or on essential carburetor parts. To keep fuel fresh, use Briggs & Stratton® Advanced Formula Fuel Treatment & Stabilizer, available wherever Briggs & Stratton genuine service parts are sold.

For engines equipped with a FRESH START® fuel cap, use Briggs & Stratton FRESH START® available in a drip concentrate cartridge.

There is no need to drain gasoline from the engine if a fuel stabilizer is added according to instructions. Run the engine for 2 minutes to circulate the stabilizer throughout the fuel system before storage.

If gasoline in the engine has not been treated with a fuel stabilizer, it must be drained into an approved container. Run the engine until it stops from lack of fuel. The use of a fuel stabilizer in the storage container is recommended to maintain freshness.

Change Oil

While engine is still warm, drain oil from crankcase. Refill with recommended grade. See *Changing Engine Oil*.

Protect Pump

To protect the pump from damage caused by mineral deposits or freezing, use PumpSaver to treat pump. This prevents freeze damage and lubricates pistons and seals.

NOTICE PumpSaver is available as an optional accessory. It is not included with the pressure washer. Contact your local Sears service center to purchase PumpSaver.


NOTICE You must protect your unit from freezing temperatures.

- Failure to do so will permanently damage your pump and render your unit inoperable.
- Freeze damage is not covered under warranty.

To use PumpSaver, make sure the pressure washer is turned OFF (0) and disconnected from supply water. Read and follow all instructions and warnings given on the PumpSaver container.

Other Storage Tips

1. DO NOT store fuel from one season to another unless it has been treated as described in *Protect Fuel System*.
2. Replace fuel container if it starts to rust. Rust and/or dirt in fuel can cause problems if it's used with this unit.
3. Cover unit with a suitable protective cover that does not retain moisture.

 **WARNING** Storage covers could cause a fire resulting in death or serious injury.

- DO NOT place a storage cover over a hot pressure washer.
- Let equipment cool for a sufficient time before placing the cover on the equipment.

4. Store unit in a clean and dry area.

TROUBLESHOOTING

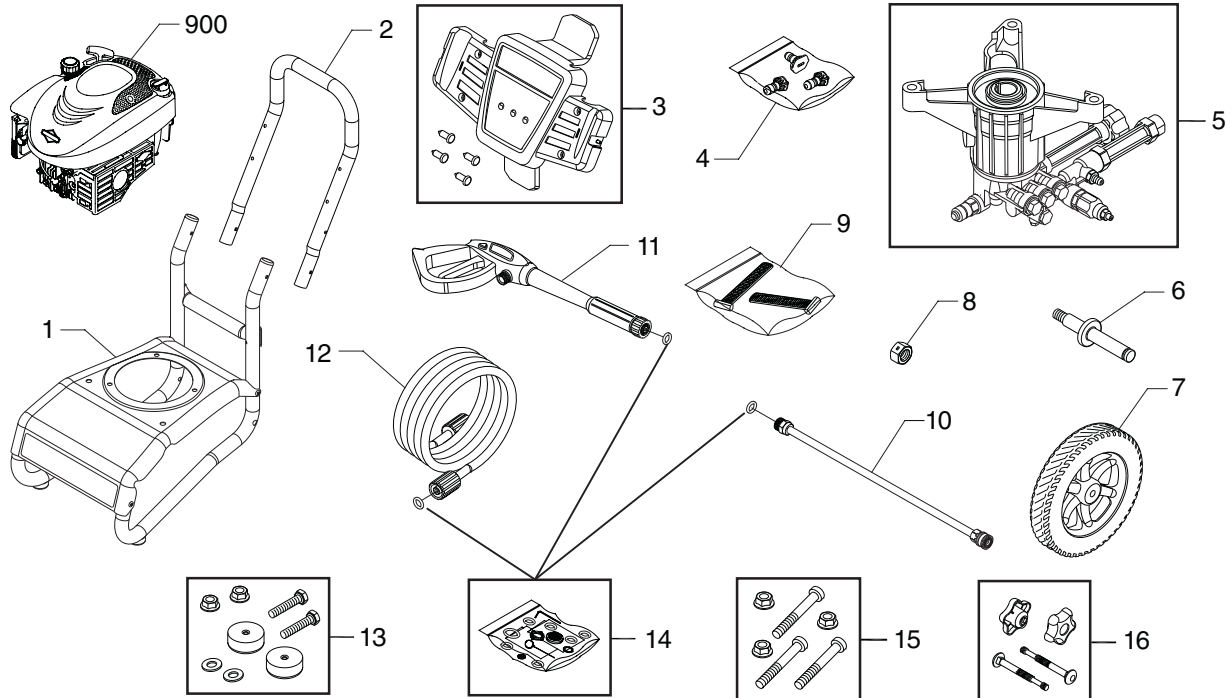
Problem	Cause	Correction
Pump has following problems: failure to produce pressure, erratic pressure, chattering, loss of pressure, low water volume.	<ol style="list-style-type: none"> 1. Low pressure spray tip installed. 2. Water inlet is blocked. 3. Inadequate water supply. 4. Inlet hose is kinked or leaking. 5. Clogged inlet hose strainer. 6. Water supply is over 100°F. 7. High pressure hose is blocked or leaks. 8. Gun leaks. 9. Spray tip is obstructed. 10. Pump is faulty. 	<ol style="list-style-type: none"> 1. Replace with high pressure spray tip. 2. Clear inlet. 3. Provide adequate water flow. 4. Straighten inlet hose, patch leak. 5. Check and clean inlet hose strainer. 6. Provide cooler water supply. 7. Clear blocks in high pressure hose or replace hose. 8. Replace gun. 9. Clean spray tip. 10. Contact Sears service facility.
Detergent fails to mix with spray.	<ol style="list-style-type: none"> 1. Detergent siphoning tube is not submerged. 2. Detergent siphoning tube is clogged or cracked. 3. High pressure spray tip installed. 4. Detergent siphoning check ball stuck. 	<ol style="list-style-type: none"> 1. Insert detergent siphoning tube into detergent. 2. Clean or replace detergent siphoning tube. 3. Replace high pressure spray tip with black spray tip. 4. Free detergent siphoning check ball.
Engine runs good at no-load but “bogs” when load is added.	Engine speed is too slow.	Move throttle lever to FAST position. If engine still “bogs down”, contact Sears service facility.
Engine will not start; starts and runs rough or shuts down during operation.	<ol style="list-style-type: none"> 1. Throttle lever in STOP position. 2. Dirty air cleaner. 3. Out of fuel. 4. Stale fuel. 5. Spark plug wire not connected to spark plug. 6. Bad spark plug. 7. Water in fuel. 8. Overchoking. 9. Excessively rich fuel mixture. 	<ol style="list-style-type: none"> 1. Move throttle lever to FAST position. 2. Clean or replace air cleaner. 3. Fill fuel tank. 4. Drain fuel tank; fill with fresh fuel. 5. Connect wire to spark plug. 6. Replace spark plug. 7. Drain fuel tank; fill with fresh fuel. 8. Open choke fully and crank engine. 9. Contact Sears service facility.
Engine lacks power.	Dirty air filter.	Replace air filter.

PARTS

CRAFTSMAN 2500 PSI Pressure Washer C950.672140

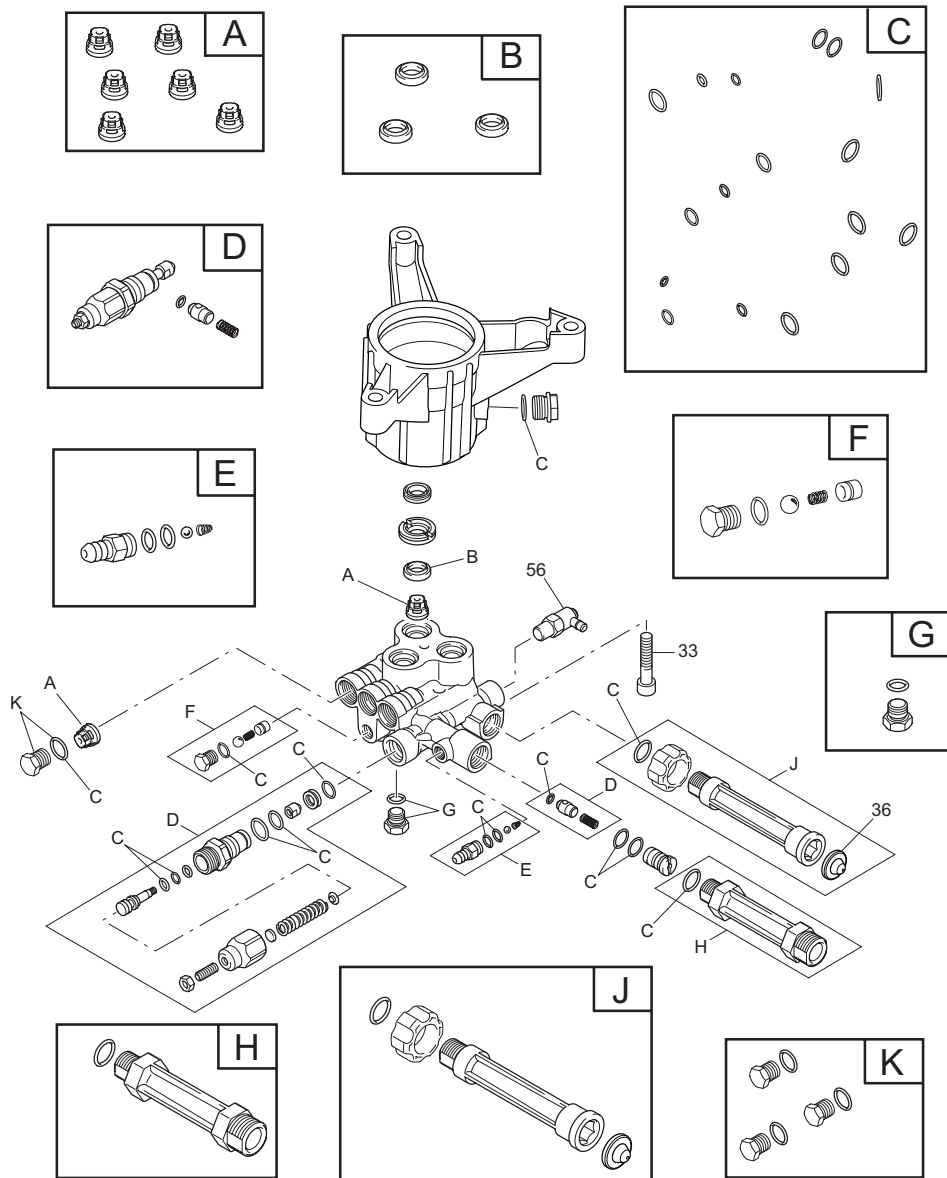
Nettoyeur à pression CRAFTSMAN de 2,500 psi C950.672140

Main Unit — Exploded View and Parts List (Unité principale — Vue éclatée et liste des pièces)



Item #	Part #	Description	Item #	Part #	Description
1	317105GS	BASE (BASE)	900	NSP	ENGINE (see pages 26-30) (MOTEUR (voir pages 26 à 30)) (126M02-0344-F1))
2	314787BUGS	HANDLE (POIGNÉE)	Items Not Illustrated (Articles non illustrés)		
3	317552GS	BILLBOARD (PANNEAU D’AFFICHAGE)		Part #	Description
	B1797GS	CLIP (AGRAFES)		Pièce no.	Description
4	201324GS	KIT-QC NOZZLE (ENSEMBLE-BUSES RACCORDS RAPIDES)	317999GS		OIL (HUILE)
	195983QGS	NOZZLE-QC GREEN (BUSE-RACCORDS RAPIDES VERT)	23139GS		KEY (CLÉ)
	195983AEGS	NOZZLE-QC RED (BUSE-RACCORDS RAPIDES ROUGE)	704293		E-RING (ANNEAU EN E)
	198841GS	NOZZLE-QC BLACK (BUSE-RACCORDS RAPIDES NOIRE)	189332GS		PLUG-HOLE (BOUCHON-TROU)
5	705445	PUMP (POMPE)	705076		HOSE-CHEMICAL (BOYAU-CHEMIQUES)
6	315134GS	AXLE (GLISSER)	794693		LABEL-WARNING (ÉTIQUETTE-AVERTISSEMENT)
7	313835GS	WHEEL (ROUE)	705752		TAG-WARNING, ENG (ÉTIQUETTE-AVERTISSEMENT, ENG)
8	703347	NUT (ÉCROU)	705868		TAG-WARNING, FRNCH (ÉTIQUETTE-AVERTISSEMENT, FRNCH)
9	317099GS	KIT-STRAP (ENSEMBLE-SANGLES)	Optional Accessories Not Illustrated (Accessoires en option non illustrés)		
10	207784GS	EXTENSION-QC (RALLONGE-RACCORDS RAPIDES)	67300GS		House Wash Concentrate (Concentré de nettoyant ménager)
11	319853GS	GUN (PISTOLET)	67301GS		Deck Wash Concentrate (Concentré de nettoyant de pont)
12	196006GS	HOSE (BOYAU)	67302GS		Vehicle/Boat Wash Concentrate (Concentré de nettoyant de véhicule/bateau)
13	192310GS	MOUNT-VIBRATION (MONTANT-ANTIVIBRATILE)	67303GS		Degreaser Concentrate (Concentré de dégraissant)
14	705001	KIT-O-RING (ENSEMBLE-JOINT TORIQUE)			
15	315139GS	KIT-HARDWARE, PUMP MOUNTING (ENSEMBLE-QUINCAILLERIE, MONTAGE DE POMPE)			
16	205910GS	KIT-HARDWARE HANDLE (ENSEMBLE-QUINCAILLERIE DE POIGNÉE)			

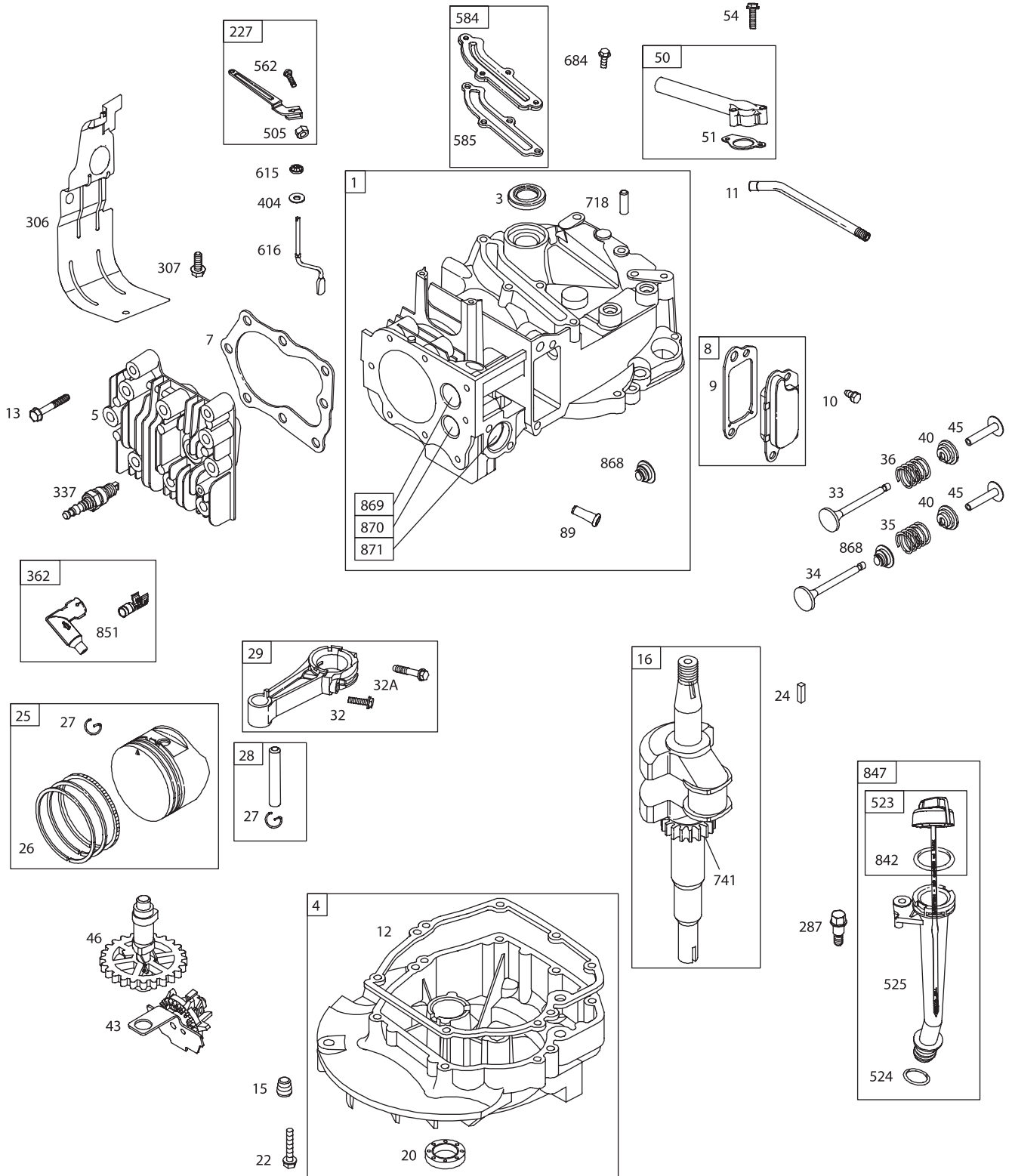
CRAFTSMAN 2500 PSI Pressure Washer C950.672140
Nettoyeur à pression CRAFTSMAN de 2,500 psi C950.672140
Pump — Exploded View and Parts List (Pompe — Vue éclatée et liste des pièces)



Item Article	Part #	Description Pièce no. Description	Item Article	Part #	Description Pièce no. Description
33	200275GS	SCREW (VIS)	E	317787GS	KIT-CHEMICAL INJ (ENSEMBLE-INJECTION DE PRODUITS CHIMIQUES)
36	B2384GS	FILTER-GARDEN HOSE (FILTRE-BOYAU D'ARROSEMENT)	F	200349GS	KIT-EASY START (ENSEMBLE-DÉBUT FACILE)
56	208673GS	VALVE-THERMAL RELIEF (SOUPAPE-DÉCHARGE THERMIQUE)	G	200350GS	SCREW-GRUB (VIS-FOUILLER)
A	200344GS	KIT-CHECK VALVE (ENSEMBLE-SOUPAPE L'VÉRIFIER)	H	201497GS	FITTING (RACCORD)
B	200345GS	KIT-WATER SEAL (ENSEMBLE-CACHET D'EAU)	J	201496GS	KIT-WATER INLET (ENSEMBLE-ENTRÉE D'EAU)
C	319404GS	KIT-O-RING (ENSEMBLE-JOINT TORIQUE)	K	317056GS	KIT-PLUG (ENSEMBLE-BOUCHON)
D	315747GS	KIT-UNLOADER (ENSEMBLE-DÉCHARGEUR)			

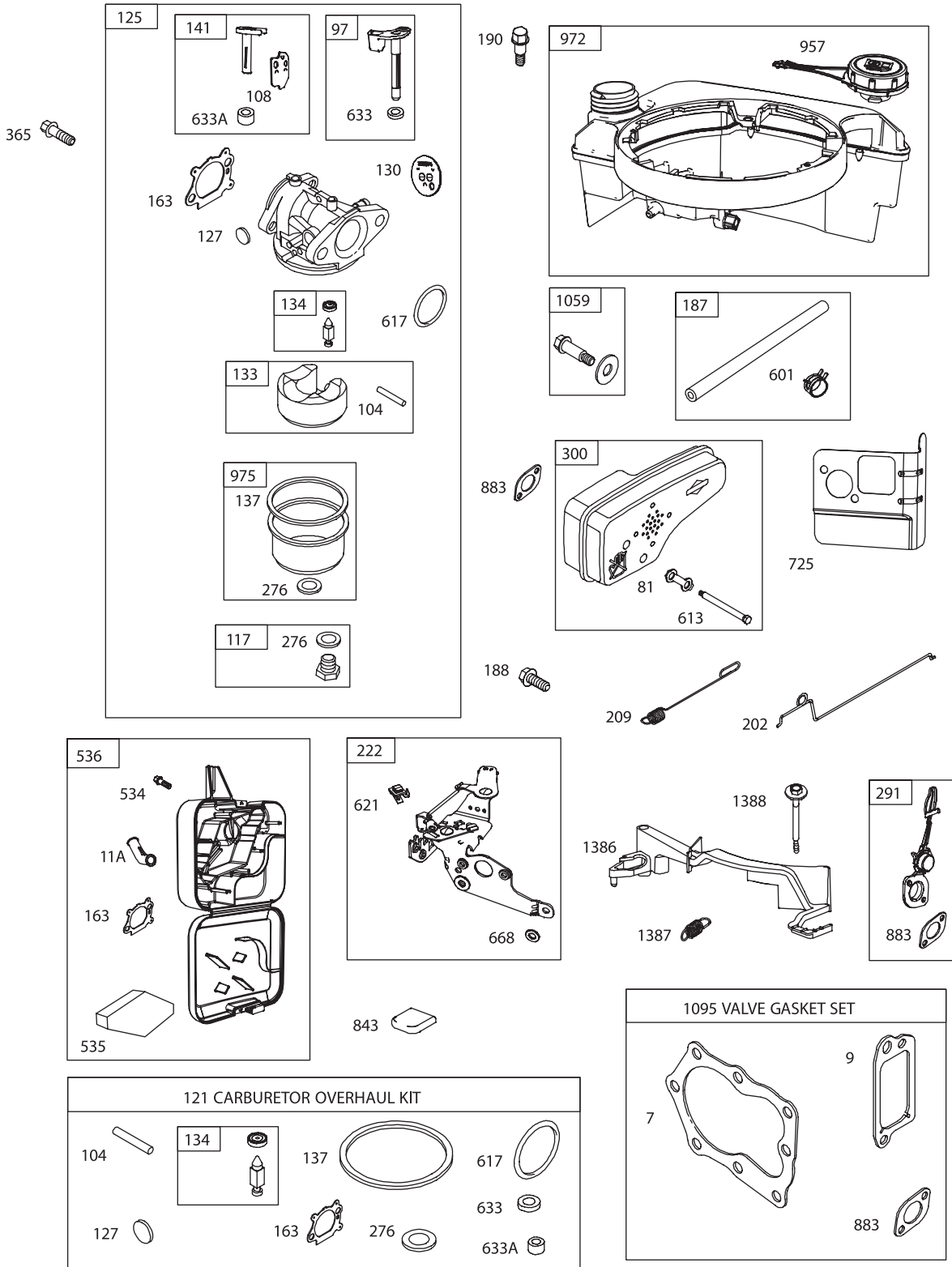
ENGINE, Briggs & Stratton, 126M02 – Exploded View

MOTEUR, Briggs & Stratton, 126M02 - Vue éclatée



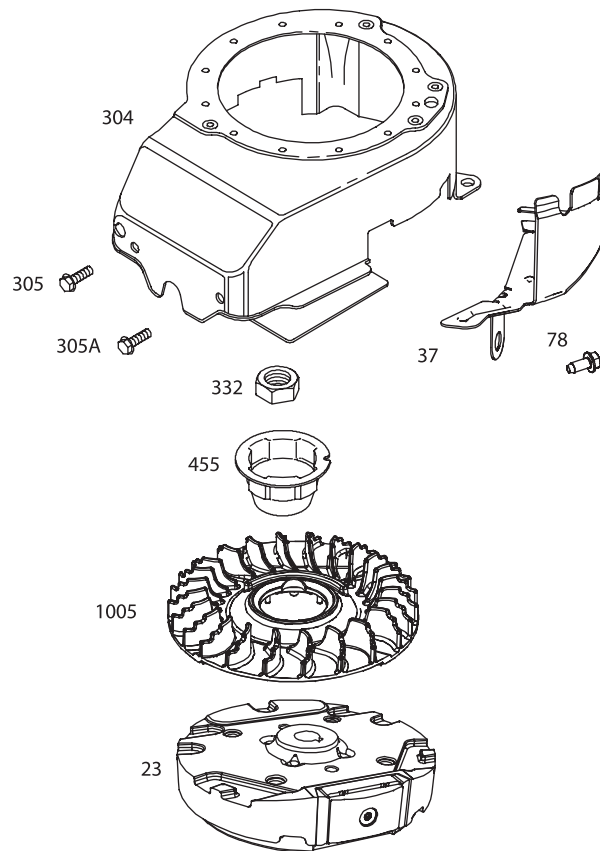
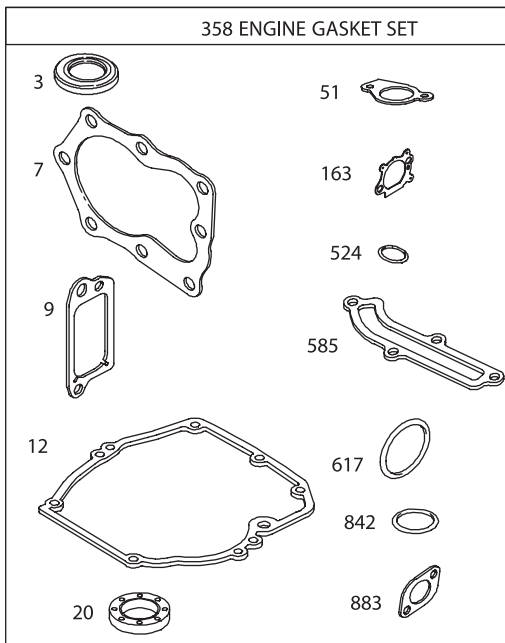
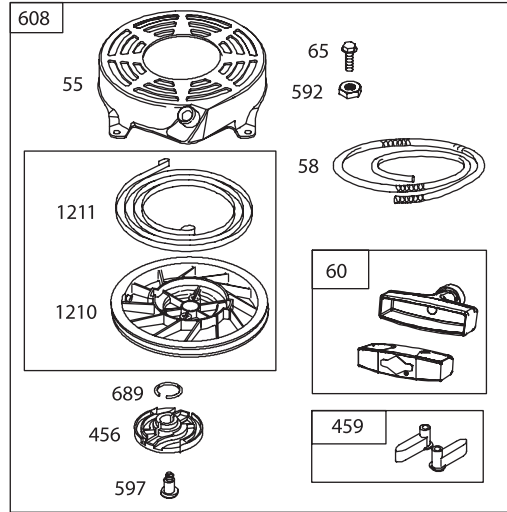
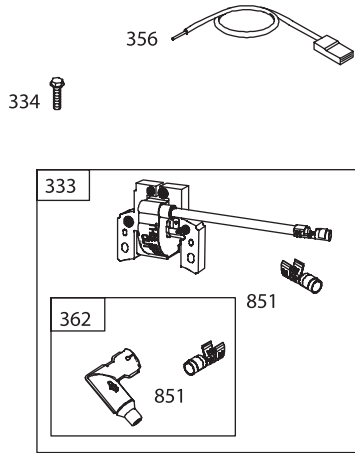
ENGINE, Briggs & Stratton, 126M02 – Exploded View

MOTEUR, Briggs & Stratton, 126M02 - Vue éclatée



ENGINE, Briggs & Stratton, 126M02 – Exploded View

MOTEUR, Briggs & Stratton, 126M02 - Vue éclatée



ENGINE, Briggs & Stratton, 126M02 – Parts List

MOTEUR, Briggs & Stratton, 126M02 - Nomenclature de pièces

Item	Part #	Description	Item	Part #	Description
Article	Pièce no.	Description	Article	Pièce no.	Description
1	590401	Cylinder Assembly (Ensemble cylindre)	54	691650	Screw (Intake Manifold) (Vis (Collecteur d'entrée))
3	299819S	Seal-Oil (Magneto Side) (Joint-Huile (côté magnéto))	55	691421	Housing-Rewind Starter (Bâti-Démarreur à cordon)
4	493279	Sump-Engine (Puisard-Moteur)	58	691921	Rope-Starter (Cordon-Démarreur)
5	590411	Head-Cylinder (Culasse-Cylindre)	60	493926	Grip-Starter Rope (Poignée-Cordon de démarreur)
7	799875	Gasket-Cylinder Head (Joint statique-Culasse de cylindre)	65	690837	Screw (Rewind Starter Housing) (Vis (Démarreur à cordon))
8	590395	Breather Assembly (Ensemble de reniflard)	78	691108	Screw (Flywheel Guard) (Vis (Écran de volant))
9	699472	Gasket-Breather (Joint statique-Reniflard)	81	691740	Lock-Muffler Screw (Verrou-Vis de silencieux)
10	691125	Screw (Breather Assembly) (Vis (Ensemble de reniflard))	89	692348	Plug-Oil (Cylinder) (Bouchon-Huile (Cylindre))
11	691781	Tube-Breather (Tube-Reniflard)	97	696565	Shaft-Throttle (Arbre-Poussée)
11A	691923	Tube-Breather (Tube-Reniflard)	104	797622	Pin-Float Hinge (Axe-Pivot d'articulation à flotteur)
12	692232	Gasket-Crankcase (Joint statique-Carter)	108	795935	Valve-Choke (Soupape-Étrangleur)
13	590422	Screw (Cylinder Head) (Vis (Culasse de cylindre))	117	590440	Jet-Main (Standard) (Gicleur-Principal (Standard))
15	691680	Plug-Oil Drain (Bouchon-Vidange d'huile)	121	498260	Kit-Carburetor Overhaul (Ensemble-Remise à neuf du carburateur)
16	797372	Crankshaft (Vilebrequin)	125	799866	Carburetor (Carburateur)
20	399781S	Seal-Oil (PTO Side) (Joint-Huile (Côté prise de force))	127	694468	Plug-Welch (Pastille-Obturation)
22	691092	Screw (Crankcase Cover/Sump) (Vis (Couvercle-Carter/Puisard))	130	696564	Valve-Throttle (Soupape-Poussée)
23	790536	Flywheel (Volant-moteur)	133	398187	Float-Carburetor (Flotteur-Carburateur)
24	222698S	Key-Flywheel (Clavette-Volant-moteur)	134	398188	Valve-Needle (Includes Seat) (Soupape-Pointeau (incluant le siège))
25	590404	Piston Assembly (Standard) (Ensemble de piston (Standard))	137	796610	Gasket-Float Bowl (Joint d'étanchéité-Cuve)
	590405	Piston Assembly (.020" Oversize) (Ensemble de piston (51 mm (0.020 po) Surdimensionné))	141	796193	Kit-Choke Shaft (Ensemble-Axe d'étrangleur)
26	590402	Ring Set (Standard) (Jeu de bagues (Standard))	163	795629	Gasket-Air Cleaner (Joint statique-Filtre à air)
	590403	Ring Set (.020" Oversize) (Jeu de bagues (51 mm (0.020 po) Surdimensionné))	187	791766	Line-Fuel (Cut to Required Length) (Conduite-Essence (Couper à la longueur requise))
27	691588	Lock-Piston Pin (Verrou-Axe de piston)	188	693399	Screw (Control Bracket) (Vis (Support de contrôle))
28	298909	Pin-Piston (Axe-Piston)	190	690940	Screw (Fuel Tank) (Vis (Réservoir d'essence))
29	797306	Rod-Connecting (Bielle)	202	691829	Link-Mechanical Governor (Tringlerie-Régulateur mécanique)
30	694692	Dipper-Connecting Rod (Plongeur-Bielle)	209	691290	Spring-Governor (Ressort-Régulateur)
32	691664	Screw (Connecting Rod) (Vis (Bielle))	222	790143	Bracket-Control (Support-Contrôle)
32A	695759	Screw (Connecting Rod) (Vis (Bielle))	227	690783	Lever-Governor Control (Lever-Contrôle du régulateur)
33	590394	Valve-Exhaust (Soupape-Échappement)	276	271716	Washer-Sealing (Rondelle-Étanchéité)
34	590393	Valve-Intake (Soupape-Entrée)	287	690940	Screw (Oil Fill Tube) (Vis-(Jauge/Assemblée de tube)
35	691270	Spring-Valve (Intake) (Ressort-Soupape (Entrée))	291	790830	Thermostat (Thermostat)
36	691270	Spring-Valve (Exhaust) (Ressort-Soupape (Échappement))	300	790828	Muffler (Silencieux)
37	793756	Guard-Flywheel (Capot-Volant-moteur)	304	791291	Housing-Blower (Bâti-Soufflerie)
40	692194	Retainer-Valve (Dispositif de retenue-Soupape)	305	691108	Screw (Blower Housing) (1/4-20x.62) (Vis-(Bâti de soufflerie) (1/4-20x.62))
43	691997	Governor/Oil Slinger(Bague d'étanchéité-Régulateur/Huile)			
45	690548	Tappet-Valve (Poussoir-Soupape)			
46	691449	Camshaft (Arbre à cames)			
50	794305	Manifold-Intake (Collecteur-Entrée)			
51	794306	Gasket-Intake (Joint statique-Entrée)			

ENGINE, Briggs & Stratton, 126M02 – Parts List

MOTEUR, Briggs & Stratton, 126M02 - Nomenclature de pièces

Item	Part #	Description	Item	Part #	Description
Article	Pièce no.	Description	Article	Pièce no.	Description
305A	590763	Screw (Blower Housing) (1/4-20x.78) (Vis- (Bâti de soufflerie) (1/4-20x.78))	668	493823	Spacer (Control Bracket) (Cale (Support de contrôle))
306	790836	Shield-Cylinder (Écran-Cylindre)	684	690345	Screw (Breather Passage Cover) (Vis (Couvercle de passage du reniflard))
307	690345	Screw (Cylinder Shield) (Vis (Écran de cylindre))	689	691855	Spring-Friction (Ressort-Friction)
332	690662	Nut (Flywheel) (Écrou-Volant-moteur)	718	690959	Pin-Locating (Détrompeur)
333	793353	Armature-Magneto (Armature-Magnéto)	725	590460	Shield-Heat (Écran-thermique)
334	691061	Screw (Magneto Armature) (Vis (Armature de magnéto))	741	797521	Gear-Timing (Steel) ((Engrenage- Synchronisation (acier)))
337	799876	Plug-Spark (Bougie-Allumage)	832	590486	Guard-Muffler (Capuchon-Silencieux)
356	692390	Wire-Stop (Fil-Arrêt)	836	690664	Screw (Muffler Guard) (Vis (Capuchon du silencieux))
358	590508	Gasket Set-Engine (Jeu de joints statiques-Moteur)	842	691031	Seal-O Ring (Dipstick) (Joint torique (Jauge))
362	793351	Shield-Spark Plug (Écran-Bougie d'allumage)	843	691884	Sleeve-Lever (Speed Control) (Manchon- Lever (Contrôle de la vitesse))
365	691688	Screw (Carburetor) (Vis (Carbureteur))	847	692047	Dipstick/Tube Assembly (Jauge/ Assemblée de tube)
404	690272	Washer (Governor Crank) (Rondelle (Manivelle-Régulateur))	851	692424	Terminal-Spark Plug (Borne-Bougie d'allumage)
455	791960	Cup-Flywheel (Coupelle-Volant-moteur)	868	590410	Seal-Valve (Siège-Soupape)
456	692299	Plate-Pawl Friction (Plaque-Cliquet à friction)	869	691155	Seat-Valve (Intake) (Siège-Soupape (Entrée))
459	281505S	Pawl-Ratchet (Cliquet-Rachet)	870	690380	Seat-Valve (Exhaust) (Siège-Soupape (Échappement))
505	691251	Nut (Governor Control Lever) (Écrou (Lever de contrôle du régulateur))	871	590409	Bushing-Valve Guide (Garniture d'étanchéité-Guide)
523	499621	Dipstick (Jauge)	883	691881	Gasket-Exhaust (Joint d'étanchéité- Échappement)
524	692296	Seal-Dipstick Tube (Anneau-O de Tube de Jauge)	957	799585	Cap-Fuel Tank (Bouchon- Réservoir de combustible)
525	495265	Tube-Dipstick (Tube de Jauge)	972	590490	Tank-Fuel (Réservoir-Essence)
534	798294	Screw (Air Cleaner) (Vis (Filtre à air))	975	796611	Bowl-Float (Cuve-Flotteur)
535	797301	Filter-Air Cleaner Foam (Filtre-Mousse du filtre à air)	1005	691346	Fan-Flywheel (Ventilateur-Volant)
536	798293	Cleaner-Air (Filtre-air)	1059	692311	Kit-Screw/Washer (Ensemble-Vis/ Rondelle)
562	691119	Bolt (Governor Lever) (Boulon (Lever du régulateur))	1095	590507	Gasket Set-Valve (Joint d'étanchéité- Soupape)
584	697734	Cover-Breather Passage (Couvercle- Passage du reniflard)	1210	498144	Pulley/Spring Assembly (Pulley) (Poulie/ Ensemble de ressorts (Poulie))
585	691879	Gasket-Breather Passage (Joint d'étanchéité-Passage du reniflard)	1211	498144	Pulley/Spring Assembly (Spring) (Poulie/ Ensemble de ressorts (Poulie))
592	690800	Nut (Rewind Starter Housing) (Écrou (Démarreur à cordon))	1386	790848	Vane-Air (Aube-Air)
597	691696	Screw (Pawl Friction Plate) (Vis (Plaque de cliquet à friction))	1387	790849	Spring-Air Vane (Ressort- Aube d'air)
601	791850	Clamp-Hose (Bride-Boyau)	1388	790850	Screw (Air Vane)(Auto Choke System) (Vis (Aube d'air) (Système d'étrangleur automatique))
608	497680	Starter-Rewind (Démarreur-Rebobinage)			
613	790833	Screw (Muffler) (Vis (Silencieux))			
615	690340	Retainer (Dispositif de retenue)			
616	698801	Crank-Governor (Manivelle-Régulateur)			
617	270344S	Seal-Intake Manifold (Joint-Collecteur d'entrée)			
621	692310	Switch-Stop (Interrupteur-Arrêt)			
633	691321	Seal-Choke/Throttle Shaft (Throttle) (Joint- Étrangleur/Arbre de poussée (Poussée))			
633A	693867	Seal-Choke/Throttle Shaft (Choke) (Joint- Étrangleur/Arbre de poussée (Étrangleur))			

NOTES

EMISSION CONTROL SYSTEM WARRANTY

California, U.S. EPA, and Sears Emissions Control Warranty Statement

Your Warranty Rights And Obligations

The California Air Resources Board, U.S. EPA, and Sears Brands Management Corporation, U.S.A. (Sears) are pleased to explain the emissions control system warranty on your Model Year 2014-2015 engine/equipment. In California, new small off-road engines and large spark ignited engines less than or equal to 1.0 liter must be designed, built, and equipped to meet the State's stringent anti-smog standards. B&S must warrant the emissions control system on your engine/equipment for the periods of time listed below provided there has been no abuse, neglect, or improper maintenance of your engine/equipment.

Your exhaust emissions control system may include parts such as the carburetor or fuel injection system, ignition system, and catalytic converter. Also included may be hoses, belts, connectors, sensors, and other emissions-related assemblies. Your evaporative emission control system may include parts such as: carburetors, fuel tanks, fuel lines, fuel caps, valves, canisters, filters, vapor hoses, clamps, connectors, and other associated components. Where a warrantable condition exists, Sears will repair your engine/equipment at no cost to you including diagnosis, parts, and labor.

Manufacturer's Warranty Coverage:

Small off-road engines and large spark ignited engines less than or equal to 1.0 liter, and any related emissions components of the equipment, are warranted for two years*. If any emissions-related part on your engine/equipment is defective, the part will be repaired or replaced by Sears.

* Two years or for the time period listed in the respective engine or product warranty statement, whichever is greater.

Owner's Warranty Responsibilities:

- As the engine/equipment owner, you are responsible for the performance of the required maintenance listed in your Operator's Manual. Sears recommends that you retain all receipts covering maintenance on your engine/equipment, but Sears cannot deny warranty solely for the lack of receipts or your failure to ensure the performance of all scheduled maintenance.
- As the engine/equipment owner, you should however be aware that Sears may deny you warranty coverage if your engine/equipment or a part has failed due to abuse, neglect, improper maintenance, or unapproved modifications.

- You are responsible for presenting your engine/equipment to a Sears distribution center, servicing dealer, or other equivalent entity, as applicable, as soon as a problem exists. The warranty repairs should be completed in a reasonable amount of time, not to exceed 30 days. If you have any questions regarding your warranty rights and responsibilities, you should contact Sears at (800) 469-4663 (in USA) or www.craftsman.com/warranty.

Sears Emissions Control Warranty Provisions

The following are specific provisions relative to your Emissions Control Warranty Coverage. It is in addition to the Sears engine warranty for non-regulated engines found in the Operator's Manual.

1. Warranted Emissions Parts
Coverage under this warranty extends only to the parts listed below (the emissions control systems parts) to the extent these parts were present on the engine and/or supplied fuel system.
 - a. Fuel Metering System
 - Cold start enrichment system (soft choke)
 - Carburetor and internal parts
 - Fuel pump
 - Fuel line, fuel line fittings, clamps
 - Fuel tank, cap and tether
 - Carbon canister
 - b. Air Induction System
 - Air cleaner
 - Intake manifold
 - Purge and vent line
 - c. Ignition System
 - Spark plug(s)
 - Magneto ignition system
 - d. Catalyst System
 - Catalytic converter
 - Exhaust manifold
 - Air injection system or pulse valve
 - e. Miscellaneous Items Used in Above Systems
 - Vacuum, temperature, position, time sensitive valves and switches
 - Connectors and assemblies
2. Length of Coverage
For a period of two years from date of original purchase*, Sears warrants to the original purchaser and each subsequent purchaser that the engine is designed, built, and equipped so as to conform with all applicable regulations adopted by the Air Resources Board; that it is free from defects in material and workmanship that could cause the failure of a warranted part; and that it is identical in all material respects to the engine described in the manufacturer's application for certification. The warranty period begins on the date the engine is originally purchased.

- * Two years or for the time period listed in the respective engine or product warranty statement, whichever is greater.

The warranty on emissions-related parts is as follows:

- Any warranted part that is not scheduled for replacement as required maintenance in the Operator's Manual supplied, is warranted for the warranty period stated above. If any such part fails during the period of warranty coverage, the part will be repaired or replaced by Sears at no charge to the owner. Any such part repaired or replaced under the warranty will be warranted for the remaining warranty period.
 - Any warranted part that is scheduled only for regular inspection in the Operator's Manual supplied, is warranted for the warranty period stated above. Any such part repaired or replaced under warranty will be warranted for the remaining warranty period.
 - Any warranted part that is scheduled for replacement as required maintenance in the Operator's Manual supplied, is warranted for the period of time prior to the first scheduled replacement point for that part. If the part fails prior to the first scheduled replacement, the part will be repaired or replaced by Sears at no charge to the owner. Any such part repaired or replaced under warranty will be warranted for the remainder of the period prior to the first scheduled replacement point for the part.
 - Add-on or modified parts that are not exempted by the Air Resources Board may not be used. The use of any non-exempted add-on or modified parts by the owner will be grounds for disallowing a warranty claim. The manufacturer will not be liable to warrant failures of warranted parts caused by the use of a non-exempted add-on or modified part.
3. Consequential Coverage
Coverage shall extend to the failure of any engine components caused by the failure of any warranted emissions parts.
 4. Claims and Coverage Exclusions
Warranty claims shall be filed according to the provisions of the Sears engine warranty policy. Warranty coverage does not apply to failures of emissions parts that are not original equipment Sears parts or to parts that fail due to abuse, neglect, or improper maintenance as set forth in the Sears engine warranty policy. Sears is not liable for warranty coverage of failures of emissions parts caused by the use of add-on or modified parts.

Look For Relevant Emissions Durability Period and Air Index Information On Your Small Off-Road Engine Emissions Label

Engines that are certified to meet the California Air Resources Board (CARB) small off-road Emissions Standard must display information regarding the Emissions Durability Period and the Air Index. Briggs & Stratton makes this information available to the consumer on our emissions labels. The engine emissions label will indicate certification information.

The **Emissions Durability Period** describes the number of hours of actual running time for which the engine is certified to be emissions compliant, assuming proper maintenance in accordance with the Operator's Manual. The following categories are used:

Moderate: Engines at or less than 80 cc displacement are certified to be emissions compliant for 50 hours of actual engine running time. Engines greater than 80 cc displacement are certified to be emissions compliant for 125 hours of actual engine running time.

Intermediate: Engines at or less than 80 cc displacement are certified to be emissions compliant for 125 hours of actual engine running time. Engines greater than 80 cc displacement are certified to be emissions compliant for 250 hours of actual engine running time.

Extended: Engines at or less than 80 cc displacement are certified to be emissions compliant for 300 hours of actual engine running time. Engines greater than 80 cc displacement are certified to be emissions compliant for 500 hours of actual engine running time.

For example, a typical walk-behind lawn mower is used 20 to 25 hours per year. Therefore, the **Emissions Durability Period** of an engine with an **intermediate** rating would equate to 10 to 12 years.

Engines are certified to meet the United States Environmental Protection Agency (USEPA) Phase 2 or Phase 3 emissions standards. The Emissions Compliance Period referred to on the Emissions Compliance label indicates the number of operating hours for which the engine has been shown to meet Federal emissions requirements.

For engines at or less than 80 cc displacement:
Category C = 50 hours, Category B = 125 hours,
Category A = 300 hours

For engines greater than 80 cc displacement and less than 225 cc displacement:
Category C = 125 hours, Category B = 250 hours,
Category A = 500 hours

For engines of 225 cc or more displacement:
Category C = 250 hours, Category B = 500 hours,
Category A = 1000 hours

TABLE DES MATIÈRES

GARANTIE	34-35	DÉPANNAGE	56
RÈGLES DE SÉCURITÉ	36-38	REMARQUES	57
FONCTIONS ET COMMANDES	39	GARANTIE DU DISPOSITIF ANTIPOLLUTION	58-59
ASSEMBLAGE	40-43	COMMENT COMMANDER LES PARTIES	PAGE
OPÉRATION	44-47	POSTÉRIEURE	
CARACTÉRISTIQUES DU PRODUIT	48		
ENTRETIEN	49-54		
RANGEMENT	55		

GARANTIE

GARANTIE LIMITÉE DE CRAFTSMAN

Généralités : Les produits Craftsman sont garantis contre tout défaut de matériaux ou de fabrication pendant une période de temps précise, telle qu'établie ci-dessous (la « période de garantie »). En outre, cette garantie est offerte uniquement à l'acheteur initial du produit Craftsman. Les achats effectués par l'entremise d'un encan en ligne ou sur tout site Web autre que www.sears.ca sont exclus. La période de garantie débute à la date de l'achat initial. Au cours de cette période, Sears Canada, Inc. s'engage, à sa seule discrétion, à réparer ou à remplacer tout produit ou composant de produit défectueux dans des conditions d'utilisation normale. La réparation ou le remplacement sera effectué pour le client sans frais de pièces ni de main-d'œuvre, à condition que le client prenne à sa charge les frais de transport.

Exclusions: La présente garantie ne couvre pas les défauts dus à l'usure normale, l'utilisation inappropriée ou abusive, la négligence (y compris, mais sans s'y restreindre, l'utilisation d'essence éventée, la poussière, les abrasifs, l'humidité, la rouille, la corrosion ou tout autre effet indésirable, imputable à un entreposage ou à des habitudes d'utilisation inappropriées), un mauvais entretien, le non-respect des consignes ou directives d'entretien, l'utilisation de l'appareil contrairement aux instructions fournies dans le manuel d'entretien ou aux consignes ou informations données à l'acheteur initial, au moment de l'achat ou au cours de communications subséquentes avec lui, un accident ou encore une modification ou des réparations non autorisées, effectuées ou tentées par d'autres. Sont également exclus de la couverture de la garantie – sauf indication fournie ci-dessous – les éléments suivants : travaux d'entretien, réglages, composants sujets à l'usure, y compris mais sans s'y restreindre : les composants esthétiques, courroies, lames, adaptateurs de lame, ampoules, pneus, filtres, barres de guidage, lubrifiants, sièges, poignées, logements de cordon de démarrage, chaînes et barres de scie, bobines et fils de tondeuse à fouet, bougies, cordes de démarrage et dents, ainsi que les décolorations résultant de l'exposition aux rayons ultraviolets. Tout produit ne portant pas son étiquette d'identification avec son numéro de modèle ou de série sera exclu de la protection offerte par la présente garantie.

Réparations : Les réparations sont garanties pendant une période de 90 jours. Si le produit défectueux est toujours couvert par la garantie, la nouvelle garantie est de 90 jours à compter de la date de la réparation ou jusqu'à la fin de la période de garantie initiale, selon la plus longue des deux échéances.

Restrictions : LES GARANTIES ET RECOURS DÉFINIS DANS LES PRÉSENTES SONT EXCLUSIFS ET REMPLACENT TOUTE AUTRE GARANTIE, QU'ELLE SOIT VERBALE OU ÉCRITE (AUTRE QUE CELLES ÉNONCÉES DANS LES PRÉSENTES) OU QU'ELLE SOIT EXPRESSE, IMPLICITE OU PRÉVUE PAR LA LOI, SANS SE RESTREINDRE À AUCUNE. LA PRÉSENTE GARANTIE VOUS CONFÈRE DES DROITS JURIDIQUES PRÉCIS, POUVANT DIFFÉRER D'UNE PROVINCE À L'AUTRE.

SEARS NE POURRA EN AUCUN CAS ÊTRE TENUE RESPONSABLE DE TOUT DOMMAGE ACCESSOIRE, SPÉCIAL, INDIRECT OU CONSÉCUTIF, QUI RÉSULTERAIT DE L'UTILISATION, DU MÉSUSAGE OU DE L'INCAPACITÉ D'UTILISER LE PRODUIT OU QUI DÉCOULERAIT DE DÉFECTUOSITÉS DU PRODUIT. LES EXCLUSIONS DU PRÉSENT PARAGRAPHE NE S'APPLIQUENT PAS DANS LES TERRITOIRES OÙ LA LOI NE PERMET PAS L'EXCLUSION DES DOMMAGES ACCESSOIRES OU CONSÉCUTIFS. DANS CES TERRITOIRES, LE PRÉSENT PARAGRAPHE SERA SANS EFFET, MAIS LES AUTRES DISPOSITIONS DU PRÉSENT DOCUMENT DEMEURERONT VALIDES.

Sears conserve le droit exclusif de réparer ou de remplacer le produit ou encore d'offrir un remboursement complet de son prix d'achat, à sa seule discrétion. CE RECOURS SERA LE SEUL ET UNIQUE RECOURS DONT VOUS DISPOSEREZ EN CAS D'INEXÉCUTION QUELLE QU'ELLE SOIT DE LA GARANTIE.

Responsabilités du client : En plus d'observer toutes les consignes et directives d'entretien, le client doit s'acquitter, entre autres, des obligations suivantes : utiliser le produit conformément aux consignes de la notice d'entretien et aux directives ou informations additionnelles fournies à l'acheteur au moment de l'achat ou à l'occasion de communications subséquentes; faire preuve d'un soin raisonnable pour l'utilisation, le fonctionnement, l'entretien général, le maintien en bon état et l'entreposage du produit. Le manquement à ces obligations entraînera une annulation de la garantie applicable.

Liste des périodes de garantie applicables : La liste ci-dessous indique la période de garantie applicable aux divers produits Craftsman qu'elle couvre; la période accordée tient compte du type de produit ou de composants et du type d'utilisation prévue ou effective de l'appareil ou du composant :

1. **90 jours** – Produits Craftsman devant être ou étant effectivement utilisés à des fins commerciales, institutionnelles, professionnelles ou lucratives.
2. **2 ans** - Les produits de marque Craftsman suivants : tondeuses à conducteur porté, tracteurs de jardin, tondeuses à contrôle arrière, motobêches, débroussailleurs, souffleuses à neige, souffleuses portatives, souffleuses dorsales, taille-bordures et produits électriques à usage non commercial, non professionnel, non institutionnel ou non lucratif, sauf les composants faisant partie de systèmes de moteur fabriqués par des tiers pour lesquels l'acheteur a reçu une garantie séparée ainsi que des renseignements sur le produit, au moment de l'achat.
3. **1 an** - Produits de marque Craftsman suivants : nettoyeur à pression, couteaux électriques, broyeuses de souches, ébranchoirs, scies à chaîne à essence, scies à chaîne électriques, accessoires de taille-bordures, sacs et scies à long manche utilisées à des fins non commerciales, non professionnelles, non institutionnelles et non lucratives.
4. **90 jours** - Toutes les batteries défectueuses, qui seront remplacées pendant une période de garantie de 90 jours.
5. **60 jours** - Une période de garantie additionnelle de 60 jours s'appliquera pour le réglage ou l'usure de produits ou de composants MAIS CETTE GARANTIE EXCLUT L'USURE ET LE RÉGLAGE de produits utilisés à des fins commerciales, institutionnelles, professionnelles ou lucratives. Les articles sujets à l'usure englobent, sans s'y restreindre : les courroies, lames, pneus, bougies, filtres à air, chaînes, boulons de cisaillement, plaques de protection, barres de raclage, coupe-congères, cordons, dents, sacs collecteurs et poulies.

Étant donné que la période de garantie débute à la date d'achat et NON à la date à laquelle le produit est livré, l'emballage ouvert et l'appareil assemblé ou utilisé la première fois, assurez-vous que votre produit ou composant est assemblé et mis à l'essai pour en vérifier le bon fonctionnement, quel que soit le moment où vous prévoyez commencer à l'utiliser réellement. Les réclamations présentées après l'expiration de la garantie ne seront pas acceptées.

Preuve d'achat et documents : La protection de la garantie est conditionnelle à la présentation par l'acheteur initial, à Sears Canada ou à son fournisseur de service autorisé s'il y a lieu, de la facture ou de toute autre preuve d'achat appropriée indiquant la date de l'achat et désignant le produit. Dans le cas où l'acheteur initial serait dans l'impossibilité de fournir une copie de sa facture, Sears Canada Inc. se réserve le droit d'établir, à sa seule discrétion, quelle autre preuve écrite de la date d'achat initial et de la désignation du produit est acceptable.

SEARS CANADA INC., TORONTO, ONTARIO, CANADA M5B 2C3

RÈGLES DE SÉCURITÉ



Lisez avec soin ce manuel et familiarisez-vous avec votre pulvérisateur à pression. Connaissez ses applications, ses limitations et les dangers qu'il implique.

Renseignements importants de sécurité

Symboles de sécurité et leur signification



Manuel d'Utilisation



Emanations Toxiques



Brûlures chimiques



Surface Glissante



Chute



Parties en mouvement



Choc Électrique



Objets volant



Projectile



Injection Fluide



Feu



Explosion



Surface Chaude



Effet de Recul

▲ Le symbole d'alerte de sécurité indique un risque potentiel de blessure personnelle. Un mot signal (DANGER, ATTENTION ou AVERTISSEMENT) est utilisé avec un symbole d'alerte pour vous indiquer le degré ou le niveau du risque. Un symbole de sécurité peut être utilisé pour représenter le type de risque. Le mot signal AVIS est utilisé pour traiter les pratiques qui ne sont pas reliées aux blessures personnelles.

▲ Le mot signal **DANGER** indique un danger qui, s'il n'est pas évité, *causera* la mort ou des blessures graves.

▲ Le mot signal **AVERTISSEMENT** indique un risque qui, s'il n'est pas évité, *pourrait* causer la mort ou des blessures graves.

▲ Le mot signal **ATTENTION** indique un risque qui, s'il n'est pas évité, *pourrait* causer des blessures mineures ou modérées.

Le mot **AVIS** est utilisé pour les pratiques qui ne sont pas reliées aux blessures personnelles.

▲ **AVERTISSEMENT** L'échappement du moteur de ce produit contient des produits chimiques que l'État de Californie considère comme causant le cancer, des déformations à la naissance ou d'autres dangers concernant la reproduction.

▲ **AVERTISSEMENT** Ce produit contient du plomb et des composés de plomb, produits chimiques reconnus par l'État de la Californie comme causant des malformations congénitales ou d'autres problèmes de reproduction. *Nettoyez-vous les mains après la manipulation de ce produit.*

▲ **AVERTISSEMENT RISQUE DE GAZ TOXIQUE.** Les gaz d'échappement contiennent du monoxyde de carbone, un gaz toxique pouvant provoquer la mort en quelques minutes. Il s'agit d'un gaz que vous NE pouvez NI voir, NI sentir, NI goûter. Même si vous ne sentez pas de vapeurs d'échappement, vous pourriez quand même être exposé au gaz de monoxyde de carbone.

Certains produits chimiques ou détergents pourraient être nocifs en cas d'inhalation ou d'ingestion, et entraîner la mort, de graves lésions, des nausées, des évanouissements ou une intoxication.

- Ne faites fonctionner cette machine qu'à l'extérieur et loin des fenêtres, portes, et événements afin de réduire le risque que le gaz de monoxyde de carbone ne s'accumule et ne soit potentiellement aspiré vers des espaces occupés.
- Installez et assurez l'entretien d'avertisseurs de monoxyde de carbone fonctionnant à piles ou alimentés par câble avec batterie de secours selon les directives du fabricant. Les détecteurs de fumée ne détectent pas le monoxyde de carbone.
- **NE FAITES PAS FONCTIONNER** ce produit à l'intérieur des maisons, garages, sous-sol, vides sanitaires, ou autres espaces partiellement clos, même si des ventilateurs sont utilisés ou des portes et fenêtres sont laissées ouvertes pour la ventilation. Le monoxyde de carbone peut s'accumuler rapidement dans ces espaces et peut y rester pendant des heures, même après l'arrêt de l'appareil.

- Installez **TOUJOURS** ce produit sous le vent et dirigez l'échappement du moteur à l'opposé des espaces occupés.

Si vous commencez à vous sentir mal, étourdi(e), ou faible en utilisant ce produit, arrêtez-le et sortez au grand air IMMÉDIATEMENT. Consultez un médecin. Vous pourriez être intoxiqué(e) par le monoxyde de carbone.

- Utilisez un respirateur ou un masque en cas de risque d'inhalation lors de l'utilisation de produits chimiques.
- Lisez toutes les instructions qui accompagnent le masque pour s'assurer que celui-ci fournira la protection nécessaire contre l'inhalation des vapeurs nocives lors de l'utilisation de produits chimiques.

▲ **AVERTISSEMENT** L'utilisation du nettoyeur à haute pression peut laisser des flaques d'eau et rendre les surfaces glissantes pouvant provoquer une chute et risquant d'entraîner la mort et des



blessures graves.

Un effet de recul du pistolet de pulvérisation peut causer une chute risquant d'entraîner la mort et des blessures graves.

- Utilisez le nettoyeur à pression à partir d'une surface stable.
- La surface à nettoyer doit être inclinée et équipée d'écoulements afin de réduire la possibilité de chutes dues aux surfaces glissantes.
- Soyez très vigilant si vous devez utiliser le nettoyeur à pression lorsque vous êtes dans une échelle, un échafaudage ou autre emplacement similaire.
- Lorsque vous utilisez une vaporisation à haute pression, saisissez fermement le pistolet de vaporisation avec les deux mains afin d'éviter les risques de blessures entraînés par les effets de recul.

▲ AVERTISSEMENT L'essence et ses vapeurs sont extrêmement inflammables et explosives qui pourraient causer des brûlures, un incendie ou une explosion risquant d'entraîner la mort ou des blessures graves.

LORS DE L'AJOUT OU DE LA VIDANGE DU CARBURANT

- Éteignez le (OFF (0)) moteur de la nettoyeur à pression et laissez-le refroidir pendant au moins 2 minutes avant de retirer le bouchon à essence. Desserrez lentement le capuchon pour laisser la pression s'échapper du réservoir.
- Remplissez ou vidangez le réservoir d'essence à l'extérieur.
- NE remplissez PAS trop le réservoir. Laissez l'expansion de l'essence.
- Attendez le carburant renversé pour s'évaporer avant de démarrer le moteur.
- Éloignez l'essence des étincelles, des flammes, des veilleuses, de la chaleur et de toute autre source d'inflammation.
- Vérifiez si les conduits d'essence, le réservoir, le bouchon et les raccords comportent des fissures ou des fuites. Remplacez au besoin.
- N'ALLUMEZ PAS de cigarette ou ne fumez pas à proximité de l'appareil.

LORS DU DÉMARRAGE DE L'ÉQUIPEMENT

- Assurez-vous que la bougie d'allumage, le silencieux, le bouchon à essence et le filtre à air sont en place.
- NE démarrez PAS le moteur lorsque la bougie d'allumage est enlevée.

LORSQUE L'ÉQUIPEMENT FONCTIONNE

- NE faites PAS fonctionner ce produit à l'intérieur d'un bâtiment, d'un abri de voiture, d'un porche, de l'équipement mobile, lors d'applications marines ou dans un lieu clos.
- NE penchez PAS le moteur ou l'équipement, vous risqueriez de renverser de l'essence.
- NE vaporisez PAS de liquides inflammables.

LORS DU TRANSPORT, DU DÉPLACEMENT OU DE LA RÉPARATION DE L'ÉQUIPEMENT

- Le réservoir d'essence doit être VIDE ou le robinet d'arrêt de carburant doit être à la position fermée (OFF (0)) pendant le transport, du déplacement ou la réparation.
- NE penchez PAS le moteur ou l'équipement, vous risqueriez de renverser de l'essence.
- Débranchez le câble de bougie.

LORSQUE VOUS ENTREPOSEZ L'ESSENCE OU UN ÉQUIPEMENT AVEC UN RÉSERVOIR À ESSENCE

- Entreposez-le loin des appareils de chauffage, des fours, des chauffe-eau, des sècheuses ou de tout autre appareil électroménager disposant d'une veilleuse ou de toute autre source d'inflammation risquant d'enflammer les vapeurs d'essence.

▲ AVERTISSEMENT Risque d'électrocution. Tout contact avec une source d'alimentation de courant peut entraîner la mort et des blessures graves.

- NE pulvérisez JAMAIS près d'une source d'alimentation.

▲ AVERTISSEMENT La chaleur et les gaz d'échappement peuvent enflammer des matériaux combustibles et les structures ainsi que causer des dommages au réservoir d'essence et provoquer un incendie risquant d'entraîner la mort ou des blessures graves..

Tout contact avec la zone du silencieux peut causer des brûlures risquant d'entraîner des blessures graves.

- NE touchez PAS aux pièces chaudes et ÉVITEZ le contact avec les gaz d'échappement.
- Laissez l'équipement refroidir avant de le toucher.
- Laissez un dégagement d'au moins 1,5 m (5 pi) tout autour de la nettoyeur à pression, y compris au-dessus.
- L'utilisation ou le fonctionnement d'un moteur sur un terrain boisé, couvert de broussailles ou gazonné constitue une violation dans l'État de la Californie, en vertu de la section 4442 du California Public Resources Code, à moins qu'il ne soit doté d'un pare-étincelles tel que défini dans la section 4442 et maintenu en bon état de fonctionnement. Il se peut que d'autres États ou d'autres compétences fédérales aient des lois semblables. Communiquez avec le fabricant, le détaillant ou le concessionnaire original de l'appareil afin d'obtenir un pare-étincelles conçu pour le système d'échappement installé sur ce moteur.
- Les pièces de rechange doivent être identiques aux pièces d'origine et être installées à la même position.

▲ AVERTISSEMENT Le jet d'eau à haute pression produit par cet appareil peut couper la peau et ses tissus sous-jacents et conduire à des blessures graves et même une amputation. Le pistolet de pulvérisation retient une pression d'eau élevée, même lorsque le moteur est éteint et que l'eau est déconnectée, ce qui peut causer des blessures graves.

- Communiquez immédiatement avec un médecin en cas de coupure. NE la traitez PAS comme une simple coupure.
- N'autorisez JAMAIS des ENFANTS à se servir du nettoyeur à pression.
- Ne réparez JAMAIS les tuyaux à haute pression. Remplacez.
- Ne réparez JAMAIS des raccords non étanches à l'aide de scellant. Remplacez le joint torique ou le joint d'étanchéité.
- Ne connectez JAMAIS le boyau à haute pression à la rallonge de buse.
- Gardez toujours le tuyau flexible à haute pression raccordé à la pompe et au pistolet de pulvérisation lorsque le système est sous pression.
- À chaque fois que vous arrêtez le moteur, dirigez TOUJOURS le pistolet vers un endroit sécuritaire et appuyez sur le bouton rouge et sur la détente du pistolet de pulvérisation pour libérer la haute pression.
- N'visez JAMAIS des personnes, des animaux ou des plantes avec le pistolet pulvérisateur.
- NE verrouillez PAS le pistolet de pulvérisation dans la position ouverte.
- NE laissez PAS le pistolet de pulvérisation sans surveillance alors que l'appareil est en marche.
- N'utilisez JAMAIS un pistolet de pulvérisation qui n'est pas muni d'un verrou d'arme ou d'un pontet installé et en ordre de marche.
- Assurez-vous toujours que le pistolet de pulvérisation, les buses et les accessoires sont bien fixés.

⚠ AVERTISSEMENT Danger de brûlures chimiques.



Les produits chimiques peuvent causer des brûlures risquant d'entraîner la mort ou des blessures graves.

- NE PAS utiliser de liquide caustique avec le nettoyeur à haute pression.
- Utilisez SEULEMENT des détergents/savons sans risque d'endommagement pour le nettoyeur à pression.

⚠ AVERTISSEMENT Un effet de recul (réroaction rapide) de la corde du démarreur tirera votre main et votre bras vers le moteur plus rapidement que vous ne pouvez relâcher la corde; ce qui pourrait causer des fractures, des ecchymoses ou des entorses risquant d'entraîner des blessures graves.



- NE tirez JAMAIS sur la corde du démarreur sans avoir d'abord libéré la pression du pistolet de pulvérisation.
- Lors du démarrage du moteur, tirez lentement sur la corde jusqu'à ce que vous sentiez une résistance et tirez alors rapidement afin d'éviter un effet de recul.
- Après chaque tentative de démarrage, alors que le moteur n'a pas démarré, dirigez toujours le pistolet à pulvérisation vers un endroit sécuritaire et appuyez sur le bouton rouge et sur la détente du pistolet de pulvérisation pour libérer la haute pression.
- Lorsque vous utilisez une vaporisation à haute pression, saisissez fermement le pistolet de vaporisation avec les deux mains afin d'éviter les risques de blessures entraînés par les effets de recul.

⚠ AVERTISSEMENT Le démarreur et d'autres pièces rotatives peuvent happer des mains, des cheveux, des vêtements ou des accessoires et entraîner des blessures graves.



- N'utilisez JAMAIS un nettoyeur à haute pression sans bâti ou couvercles protecteurs.
- NE portez PAS de vêtements amples, de bijoux ou autres accessoires qui peuvent se prendre dans le démarreur ou d'autres pièces rotatives.
- Embouteiller des cheveux longs et enlève la bijouterie.

⚠ AVERTISSEMENT Une étincelle involontaire peut causer un incendie et un choc électrique et entraîner la mort et des blessures graves.



LORSQUE VOUS RÉGLEZ OU RÉPAREZ VOTRE NETTOYEUR À PRESSION

- Débranchez toujours le câble de bougie et placez-le de façon à ce qu'il ne soit pas en contact avec la bougie.

LORS DE TESTS D'ALLUMAGE DU MOTEUR

- Utilisez un vérificateur de bougies d'allumage approuvé.
- NE vérifiez PAS l'allumage lorsque la bougie d'allumage est enlevée.

⚠ AVERTISSEMENT Risque de blessures aux yeux ou corporelles.



Le jet peut rejaillir sur vous ou propulser des objets et entraîner des blessures graves.

- Portez toujours des lunettes de sécurité à aération indirecte (contre les produits chimiques) spécifiées conformes à ANSI Z87.1 lorsque vous utilisez ou que vous vous trouvez à proximité de cet appareil.
- N'utilisez JAMAIS de lunettes de sécurité ou de lunettes de sécurité pour condition sèche au lieu de lunettes de sécurité à aération indirecte.
- Portez toujours des vêtements de protection tels que des chandails à manches longues, des pantalons et des souliers fermés.
- N'utilisez JAMAIS le nettoyeur à haute pression avec les pieds nus ou en portant des sandales ou des shorts.

⚠ ATTENTION Des vitesses de fonctionnement excessivement élevées peuvent causer des blessures mineures.

Des vitesses excessivement lentes produisent une charge importante.

- NE modifiez PAS la vitesse réglée du moteur. Le nettoyeur à haute pression fournit une pression et un débit approprié lorsqu'il fonctionne à une vitesse réglée du moteur.
- Ne modifiez PAS le nettoyeur à haute pression d'aucune façon.

AVIS Le jet à haute pression risque d'endommager les articles fragiles, notamment le verre.

- NE PAS diriger le pistolet de pulvérisation vers les vitres lorsque la buse rouge 0° est utilisée.
- N'visez JAMAIS des plantes avec le pistolet pulvérisateur.

AVIS Le traitement inadéquat du nettoyeur à haute pression peut l'endommager et réduire sa durée de vie utile.

- Si vous avez des questions à propos de l'utilisation prévue de cet appareil, consultez votre détaillant.
- N'utilisez JAMAIS un appareil ayant des pièces brisées ou manquantes ou sans bâti ou couvercles protecteurs.
- NE neutralisez AUCUN dispositif de sécurité de cette machine.
- NE modifiez PAS la vitesse réglée du moteur.
- N'utilisez PAS le nettoyeur à pression à des valeurs excédant la pression nominale.
- NE modifiez PAS le nettoyeur à pression.
- Par temps froid, avant de démarrer le nettoyeur à pression, vérifiez-en tous les éléments pour vous assurer qu'aucune glace ne s'y est formée.
- N'utilisez JAMAIS le tuyau à haute pression comme poignée pour déplacer l'appareil. Utilisez toujours la poignée de l'appareil.
- Cet appareil est conçu pour être utilisé uniquement avec des pièces Sears approuvées. Si l'appareil est utilisé avec des pièces qui NE sont PAS conformes aux caractéristiques minimales, tous les risques et responsabilités incomberont à l'utilisateur.

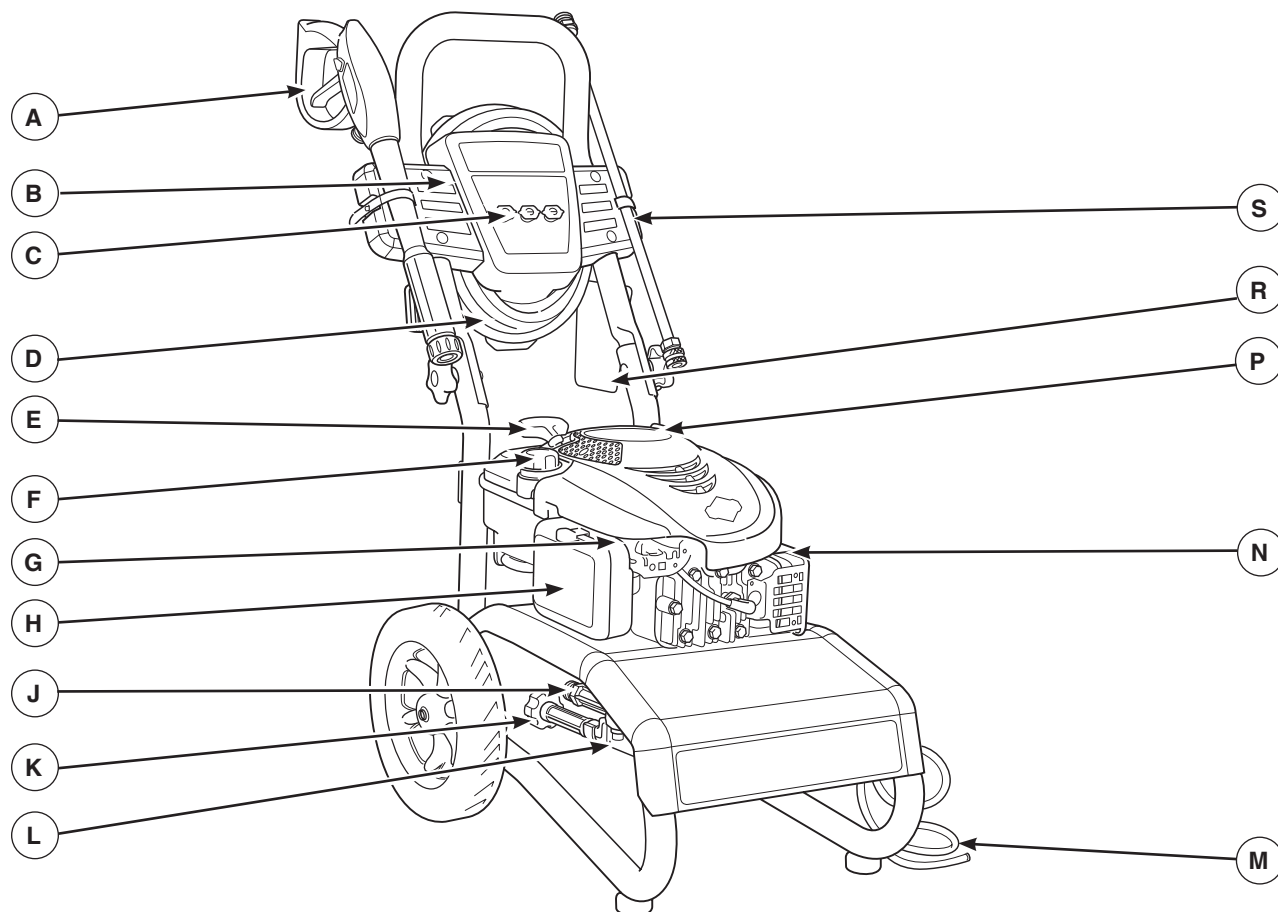
FONCTIONS ET COMMANDES

CONNAÎTRE VOTRE NETTOYEUR À PRESSION



Lisez ce manuel d'utilisation ainsi que les règles de sécurité avant de faire fonctionner votre nettoyeur à pression.

Comparez les illustrations avec votre nettoyeur à pression pour vous familiariser avec l'emplacement des différents boutons et réglages. Conservez ce manuel pour référence ultérieure.



A - Pistolet de pulvérisation — Un dispositif de détente permet de contrôler le jet d'eau sur la surface à nettoyer. Le pistolet est muni d'un verrou de sécurité.

B - Plateau pour accessoires — Fournit un espace de rangement pratique pour les accessoires standard et en option, telles que brosses, turbo-lances, etc.

C - Buses — Détergent, 0° et 25° : pour les différentes applications de nettoyage à haute pression.

D - Tuyau à haute pression — Raccordez une extrémité du tuyau au pistolet de pulvérisation et l'autre à la sortie du nettoyeur à pression.

E - Démarreur à recul — Utilisé pour démarrer le moteur manuellement.

F - Réservoir d'essence — Remplissez le réservoir avec de l'essence ordinaire sans plomb. Laissez toujours de la place pour l'expansion de l'essence.

G - Manette de poussée — Cette manette place le moteur en mode démarrage pour le lanceur et éteint le moteur en marche.

H - Filtre à air — Filtre de type sec qui limite la quantité de poussières et de saletés dans le moteur.

J - Prise haute pression — Vous permet de brancher le tuyau à haute pression.

K - Prise d'eau — Branchement pour le tuyau d'arrosage.

L - Pompe — Développe une pression élevée.

M - Tube de siphonnage du détergent — Utilisez pour siphonner les détergents sans risque d'endommagement pour le nettoyeur à haute pression dans le jet à basse pression.

N - Identification du moteur — Fournit le numéro du modèle, le type et le code du moteur. S'il vous plaît avoir ces facilement disponible si appeler l'assistance.

P - Bouchon de remplissage et jauge d'huile — Vérifiez le niveau d'huile et remplissez le moteur d'huile ici.

R - Étiquette avertissement/directives d'utilisation — Identifie les risques et la procédure appropriée pour le démarrage et l'arrêt du nettoyeur à haute pression.

S - Rallonge de buse à raccord rapide — Cette rallonge vous permet de changer les buses (trois modèles différents).

Articles non montrés:

Étiquettes d'identification (près de l'arrière de la plaque de fond) — Indique le numéro de modèle et de série du nettoyeur à haute pression. Veuillez avoir ces renseignements sous la main lors d'appel de service.

Système de refroidissement automatique — Fait circuler l'eau dans la pompe lorsqu'elle atteint 51° à 68°C (125° à 155°F). L'eau chaude s'écoulera de la pompe sur le sol. Ce système empêche la pompe interne de s'abîmer.

ASSEMBLAGE

Votre nettoyeur à pression exige que quelque assemblée et soit prêt pour l'usage après il a été convenablement entretenu avec le pétrole et le carburant recommandés.

Si vous avez des problèmes au cours de l'assemblage de votre nettoyeur à pression ou si certaines pièces sont manquantes ou endommagées, appelez la ligne d'assistance pour les nettoyeur à pression au 1-800-222-3136.

Déballage du nettoyeur à pression

1. Enlevez tous les composants de la boîte d'expédition à l'exception du nettoyeur à pression.
2. Ouvrez la boîte d'expédition en coupant tous les coins du haut vers le bas.
3. Enlevez le nettoyeur à pression de la boîte d'expédition.

Contenu du carton

Vérifiez toutes les pièces et accessoires du nettoyeur à pression. Si certaines des pièces énumérées ci-dessus sont manquantes ou endommagées, appelez la ligne d'assistance pour les nettoyeur à pression au **1-800-222-3136**.

- Appareil principal
- Poignée
- Plateau pour accessoires
- Tuyau à haute pression
- Pistolet pulvérisateur
- Rallonge de buse à raccord rapide
- Pochette d'huile
- Sac de pièces (comprenant les pièces énumérées ci-dessous)
 - Manuel d'utilisation
 - Carte d'enregistrement du propriétaire
 - Sangles en caoutchouc, (2)
 - Sac contenant 3 buses multicolores
 - Matériel de fixation à la poignée
 - Boulons, (2)
 - Boutons en plastique, (2)
 - Agrafes, (4)

Familiarisez-vous avec chaque pièce avant d'assembler le nettoyeur à pression. Vérifiez le contenu de la boîte à l'aide de l'illustration de la page 39. Si une pièce est manquante ou endommagée, veuillez joindre le service de dépannage du nettoyeur à pression au numéro sans frais **1-800-222-3136**.

ASSEMBLAGE DU NETTOYEUR À PRESSION

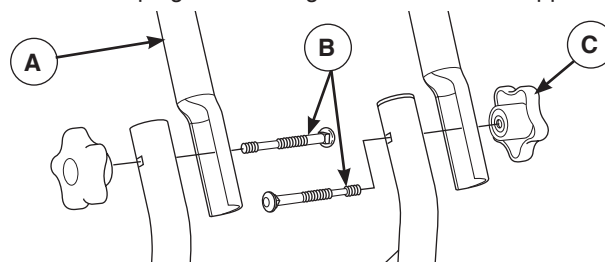
Votre nettoyeur à pression Craftsman a été monté en grande partie en usine. Cependant, vous devrez effectuer les tâches ci-dessous avant d'utiliser votre nettoyeur à pression.

1. Remplissez et envoyez la carte d'enregistrement.
2. Fixez la poignée et le plateau pour accessoires à l'unité principale.
3. Ajoutez de l'huile au carter du moteur.
4. Ajoutez de l'essence dans le réservoir.
5. Branchez le tuyau à haute pression au pistolet pulvérisateur et à la pompe.
6. Branchez la source d'alimentation d'eau à la pompe.

7. Connectez la rallonge de buse sur le pistolet de pulvérisation.
8. Choisissez une buse à raccord rapide et installez-la sur la rallonge de buse.

Fixez la poignée et le plateau pour accessoires

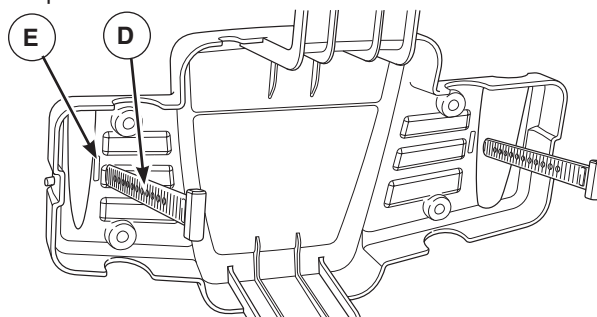
1. Placez l'assemblage de la poignée (A) sur le support de la poignée relié à l'unité principale. Assurez-vous que les trous de la poignée sont alignés avec ceux du support.



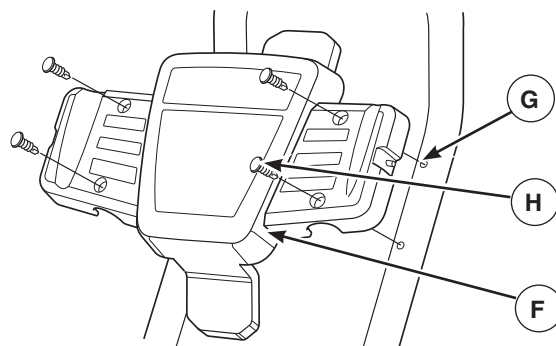
2. Insérez les boulons de carrosserie de poignée (B) dans les trous à l'intérieur de l'unité, puis fixez un bouton en plastique (C) depuis l'extérieur de l'unité. Serrez à la main.

AVIS En desserrant les deux boutons de la partie médiane du boulon de fixation, la poignée supérieure peut être pliée vers l'avant afin de la ranger sur le moteur refroidi. **NE PAS** plier la poignée lorsque le moteur est chaud.

3. Insérez les sangles en caoutchouc (D) dans les rainures (E) à l'arrière du plateau pour accessoires et serrez-les à partir de l'avant.



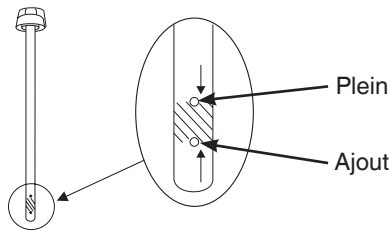
4. Placez le plateau pour accessoires (F) au-dessus des trous (G) de la poignée (en regardant à partir de l'avant de l'appareil). Poussez les trois agrafes (H) dans les trous jusqu'à ce qu'elles reposent sur le plateau pour accessoires.



5. Insérez les buses multicolores et les autres accessoires fournis dans les espaces prévus sur le plateau pour accessoires. Consultez la section *Comment utiliser le plateau pour accessoires*.

Ajoutez de l'huile à moteur

1. Placez le nettoyeur à pression sur une surface plane.
2. Nettoyez la surface autour de l'orifice de remplissage d'huile et enlevez la jauge d'huile.
3. Tenez le goulot de la pochette d'huile et enlevez le bouchon.
4. Versez le contenu de la pochette d'huile dans l'orifice de remplissage d'huile. Remplissez jusqu'au repère FULL (trou supérieur) de la jauge d'huile tout en contrôlant le niveau d'huile fréquemment.



AVIS Attendez un moment pour permettre à l'huile de décanter. Essuyez la jauge d'huile chaque fois que vous vérifiez le niveau d'huile. **NE** remplissez **PAS** en excès.

AVIS Un traitement inapproprié du nettoyeur à pression risque de l'endommager et de raccourcir sa durée d'utilisation.

- **NE** tentez **JAMAIS** de démarrer le moteur sans d'abord vérifier s'il a été entretenu de façon appropriée avec l'huile recommandée. Cela risquerait d'entraîner un bris de moteur.
5. Remplacez la jauge d'huile et serrez-la solidement.

Ajoutez de l'essence

Le carburant doit répondre à ces exigences:

- Essence sans plomb, propre et récemment achetée.
- Au minimum 87 octanes/87 AKI (91 IOR). Utilisation à des altitudes élevées, voir Altitude élevée.
- Une essence contenant jusqu'à 10% d'éthanol (gazohol) est acceptable.

AVIS L'utilisation de carburants non approuvés pourrait endommager le nettoyeur à haute pression et annuler la garantie.

- **N'UTILISEZ PAS** d'essence non approuvée telle que E15 et E85.
- **NE MÉLANGEZ PAS** l'huile avec l'essence et ne modifiez pas le moteur afin qu'il fonctionne avec d'autres types de carburant.

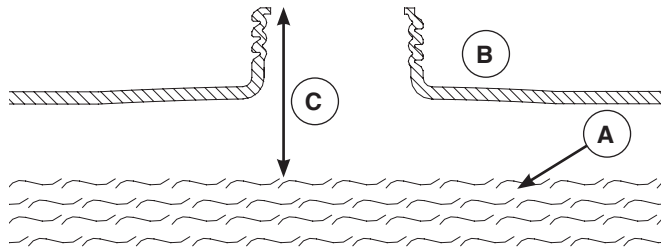
Au moment d'ajouter de l'essence, la mélanger avec un stabilisateur d'essence afin de protéger le circuit d'alimentation contre la formation de dépôts de gomme. Voir *Entreposage*. Les essences ne sont pas toutes pareilles. Si vous éprouvez des problèmes de démarrage ou de performance après avoir utilisé une essence, changez de fournisseur d'essence ou de marque d'essence. Le fonctionnement du moteur avec de l'essence est certifié. Ce dispositif antipollution pour ce moteur est de type EM (Modifications de moteur).

⚠ AVERTISSEMENT L'essence et ses vapeurs sont extrêmement inflammables et explosives qui pourraient causer des brûlures, un incendie ou une explosion risquant d'entraîner la mort ou des blessures graves..

LORS DE L'AJOUT DU CARBURANT

- Éteignez le moteur de la nettoyeur à pression et laissez-le refroidir pendant au moins 2 minutes avant de retirer le bouchon à essence. Desserrez lentement le capuchon pour laisser la pression s'échapper du réservoir.
- Remplissez le réservoir d'essence à l'extérieur.
- **NE** remplissez **PAS** trop le réservoir. Laissez l'expansion de l'essence.
- Attendez le carburant renversé pour s'évaporer avant de démarrer le moteur.
- Éloignez l'essence des étincelles, des flammes, des veilleuses, de la chaleur et de toute autre source d'inflammation.
- Vérifiez si les conduits d'essence, le réservoir, le bouchon et les raccords comportent des fissures ou des fuites. Remplacez au besoin.
- **N'ALLUMEZ PAS** de cigarette ou ne fumez pas à proximité de l'appareil.

1. Nettoyez la partie autour du bouchon du réservoir d'essence, enlevez le bouchon.
2. Ajoutez lentement de l'essence "SANS PLOMB" (A) dans le réservoir (B). Utilisez un entonnoir pour éviter d'en renverser. Remplissez lentement le réservoir jusqu'à environ 4 cm (1.5") (C) au-dessus du col de remplissage.



3. Installez le bouchon à essence et attendez le carburant renversé pour s'évaporer.

ATTENTION! Les carburants à l'alcool (appelés essence-alcool, éthanol ou méthanol) attirent l'humidité, ce qui entraîne la séparation et la formation d'acides durant l'entreposage. Les gaz acides peuvent endommager le système d'alimentation du moteur pendant l'entreposage. Pour éviter les problèmes liés à la performance, le système d'alimentation en essence devrait être traité avec un conservateur d'essence ou vidé avant un entreposage de 30 jours ou plus. Vidangez le réservoir d'essence, démarrez le moteur et laissez-le tourner jusqu'à ce que les conduits d'essence et le carburateur soient vides. Utilisez de l'essence fraîche la saison suivante. Pour obtenir plus de renseignements, consultez la section *Entreposage*.

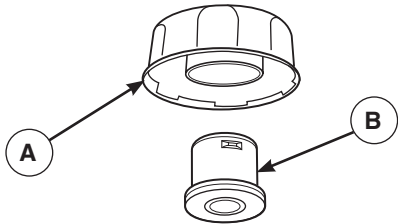
N'utilisez **JAMAIS** de produits de nettoyage de moteur ou de carburateur dans le réservoir à essence, ils pourraient causer des dommages irréversibles.

Altitude élevée

À des altitudes élevées (plus de 1 524 m / 5 000 pi), il est acceptable d'utiliser des essences présentant un indice minimum de 85 octane / 85 AKI (89 IOR). Un réglage pour les altitudes élevées est requis pour respecter les normes relatives aux émissions. Une utilisation sans ce réglage entraîne une diminution de la performance, une augmentation de la consommation d'essence et des émissions. Consultez un détaillant Sears qualifié au sujet de renseignements relatifs au réglage pour les altitudes élevées.

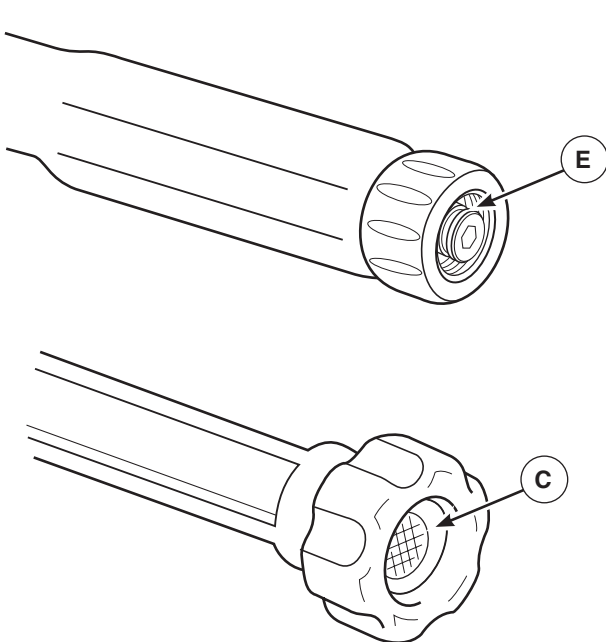
Bouchon de réservoir d'essence FreshStart®

Le bouchon de réservoir d'essence Fresh Start® (A) est conçu pour recevoir une cartouche (B) qui contient du conservateur d'essence. L'ajout de conservateur d'essence aide à garder propre l'essence et les carburateurs et facilite le démarrage, toute au long de l'année. Le bouchon de réservoir d'essence FreshStart®, lorsque muni d'une cartouche, provoque l'écoulement automatique du conservateur d'essence concentré dans votre réservoir d'essence de sorte à ce que vous n'ayez pas à l'ajouter vous-même.



AVIS Adquiere un cartouche de conservateur d'essence FreshStart® en sus Sears locales o llamando al 1-800-4-MY-HOME (469-4663) o por Internet en www.sears.ca. Il n'est pas fourni avec le nettoyeur à haute pression.

Veuillez lire et suivre toutes les directives et les avertissements figurant dans la trousse de la cartouche de conservateur d'essence FreshStart®.



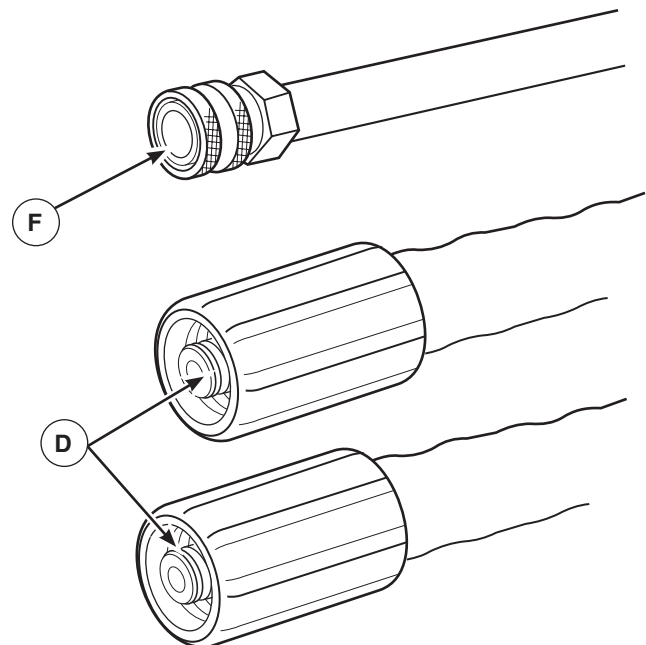
Lubrifier des joints toriques

La lubrification des joints toriques est extrêmement importante pour l'installation et le fonctionnement. L'utilisation d'un lubrifiant (graisse de pétrole ou synthétique) au cours de l'assemblage facilite la pose des joints toriques et procure une meilleure étanchéité. Elle contribue également à protéger les joints toriques contre les dommages causés par l'abrasion, le pincement et les coupures et prolonge la durée de vie des joints toriques.

AVIS Appliquez TOUJOURS une petite quantité de lubrifiant sur les joints toriques avant l'assemblage du tuyau d'arrosage à la pompe (C), tuyau à haute pression (D), pistolet pulvérisateur (E), et rallonge de buse (F).

Lubrifier toutes les connexions ci-dessous, suivre ces instructions:

1. Inspectez et nettoyez les surfaces de connexion avant la lubrification et l'assemblage.
2. Utilisez les lubrifiants en petite quantité pendant l'assemblage; une couche légère suffit.
3. Utilisez une petite brosse ou un coton-tige pour appliquer la graisse directement sur les joints toriques aux endroits qui sont moins facilement accessibles (raccord QC, raccord M22).



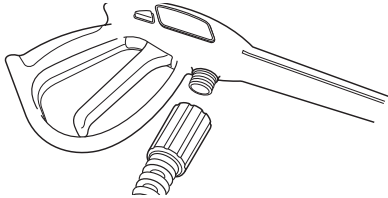
Raccorder le tuyau et la source d'eau à la pompe

AVIS NE faites PAS marcher la pompe sans que le nettoyeur à pression soit connecté à la source d'eau ouverte.

- Vous devez suivre cet avertissement, au risque d'endommager la pompe.

AVIS Enlevez et jetez les bouchons d'expédition de la sortie haute pression de la pompe et de l'admission de l'eau avant de brancher les boyaux.

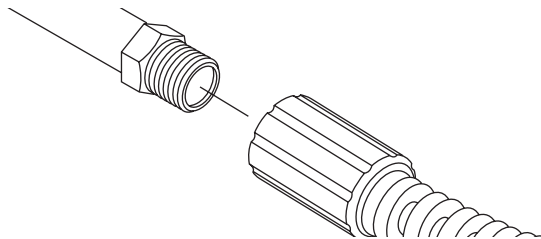
1. Déroulez le tuyau à haute pression et fixez le à la base du pistolet pulvérisateur. Serrez manuellement.



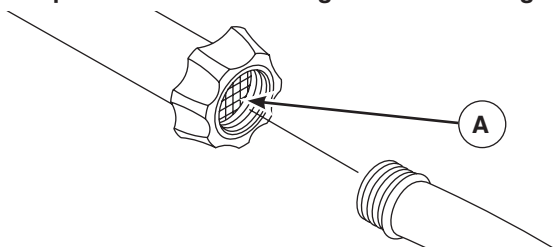
▲ AVERTISSEMENT Le jet d'eau à haute pression produit par cet appareil peut couper la peau et ses tissus sous-jacents et conduire à des blessures graves et même une amputation.

- Ne connectez JAMAIS le boyau à haute pression à la rallonge de buse.
- Gardez toujours le tuyau flexible à haute pression raccordé à la pompe et au pistolet de pulvérisation lorsque le système est sous pression.
- Assurez-vous toujours que le pistolet de pulvérisation, les buses et les accessoires sont bien fixés.

2. Fixez l'autre extrémité du tuyau à haute pression à la prise haute pression sur la pompe. Serrez manuellement.



3. Avant de brancher votre tuyau d'arrosage à la prise d'eau, inspectez la filtre intégré (A). Nettoyez la filtre intégré si elle contient des débris, remplacez-la si elle est endommagée. **NE vous servez PAS du nettoyeur à pression si la filtre intégré est endommagée.**



4. Faites couler de l'eau dans le tuyau d'arrosage pendant 30 secondes pour nettoyer tous les débris. Fermez le robinet d'eau.

AVIS NE siphonnez PAS de l'eau stagnante pour vous en servir. Utilisez SEULEMENT de l'eau froide (à moins de 100°F (38°C)).

5. Connectez le boyau d'arrosage (ne pas dépasser 50 pieds dans la longueur) à la prise d'eau. Serrez manuellement.

AVIS L'utilisation d'un clapet anti-retour (reniflard ou soupape de retenue) à la prise de la pompe peut endommager la pompe ou le raccord d'entrée d'eau.

- Il doit y avoir une longueur d'au moins dix pieds (trois mètres) de boyau d'arrosage libre entre l'entrée du nettoyeur à haute pression et tout dispositif, tel que reniflard ou soupape de sûreté.
- Les dommages infligés au nettoyeur à pression par suite de ne pas avoir respecté cette consigne, ne seront pas couverts par la garantie.

▲ AVERTISSEMENT Risque de blessure aux yeux.

Le jet peut rejaillir sur vous ou propulser des objets et entraîner des blessures graves.

- Portez toujours des lunettes de sécurité à aération indirecte (contre les produits chimiques) spécifiées conformes à ANSI Z87.1 lorsque vous utilisez ou que vous vous trouvez à proximité de cet appareil.
- N'utilisez JAMAIS de lunettes de sécurité ou de lunettes de sécurité pour condition sèche au lieu de lunettes de sécurité à aération indirecte.

6. Ouvrez l'eau, appuyez sur le bouton rouge (B) du pistolet et sur la détente pour purger la pompe de l'air et des impuretés qui s'y trouvent.



Liste de vérifications avant de démarrer le moteur

Examinez l'assemblage de l'appareil pour confirmer que vous avez effectué tout ce qui suit:

1. Assurez-vous d'avoir lu les *Règles de Sécurité et Comment Utiliser Votre Nettoyeur à Pression* avant de l'utiliser.
2. Assurez-vous que la poignée est en place et bien fixée.
3. Vérifiez qu'il y a de l'huile dans le carter, jusqu'au niveau approprié.
4. Ajoutez de l'essence dans le réservoir.
5. Vérifiez que les connexions du tuyau sont correctement serrées (haute pression et eau) et qu'il n'y ait pas de coude, de coupures ou d'endroits abîmés.
6. Fournissez de l'eau à une cadence appropriée.

OPÉRATION

COMMENT UTILISER VOTRE NETTOYEUR À PRESSION

Si vous avez des problèmes à faire fonctionner votre nettoyeur à pression, n'hésitez pas à appeler le service d'assistance au 1-800-222-3136.

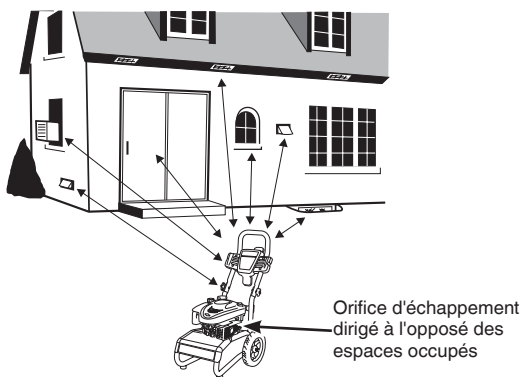
Emplacement de la nettoyeur à pression

Intoxication au monoxyde de carbone

▲ AVERTISSEMENT RISQUE DE GAZ TOXIQUE. Les gaz d'échappement contiennent du monoxyde de carbone, un gaz toxique pouvant provoquer la mort en quelques minutes. Il s'agit d'un gaz que vous NE pouvez NI voir, NI sentir, NI goûter. Même si vous ne sentez pas de vapeurs d'échappement, vous pourriez quand même être exposé au gaz de monoxyde de carbone.

- Ne faites fonctionner cette machine qu'à l'extérieur et loin des fenêtres, portes, et événements afin de réduire le risque que le gaz de monoxyde de carbone ne s'accumule et ne soit potentiellement aspiré vers des espaces occupés.
- Installez et assurez l'entretien d'avertisseurs de monoxyde de carbone fonctionnant à piles ou alimentés par câble avec batterie de secours selon les directives du fabricant. Les détecteurs de fumée ne détectent pas le monoxyde de carbone.
- NE FAITES PAS FONCTIONNER ce produit à l'intérieur des maisons, garages, sous-sol, vides sanitaires, ou autres espaces partiellement clos, même si des ventilateurs sont utilisés ou des portes et fenêtres sont laissées ouvertes pour la ventilation. Le monoxyde de carbone peut s'accumuler rapidement dans ces espaces et peut y rester pendant des heures, même après l'arrêt de l'appareil.
- Installez TOUJOURS ce produit sous le vent et dirigez l'échappement du moteur à l'opposé des espaces occupés.

Si vous commencez à vous sentir mal, étourdi(e), ou faible en utilisant ce produit, arrêtez-le et sortez au grand air IMMÉDIATEMENT. Voir un médecin. Vous pourriez être intoxiqué(e) par le monoxyde de carbone.



Dégagements de prévention des risques d'incendie

▲ AVERTISSEMENT L'échappement/les gaz d'échappement chauds pourrait enflammer les produits combustibles, les structures ou endommager le réservoir d'essence en provoquant un feu, et entraîner la mort ou de graves lésions.

- Laissez un dégagement d'au moins 1,5 m (5 pi.) tout autour du nettoyeur à haute pression, y compris au-dessus.

Mettre votre nettoyeur à pression en marche

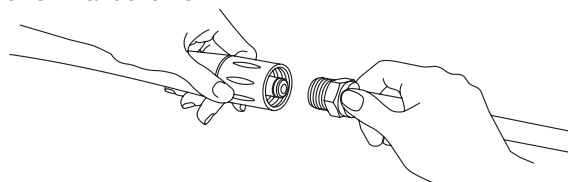
Pour démarrer votre nettoyeur à haute pression la première fois, suivez ces instructions pas à pas. Cette information qui vous aide à mettre votre nettoyeur à haute pression en marche s'applique également s'il est resté sans fonctionner pendant au moins une journée.

1. Placer la rondelle de pression près d'un hors de la source d'eau capable d'alimentation d'eau à un taux de flux plus grand que 3.3 gallons (12.5 l) par la minute et aucun moins que 20 PSI (1.38 BARS) à la fin de rondelle de pression du tuyau de jardin.
2. Vérifiez que le tuyau à haute pression est bien serré sur le pistolet pulvérisateur et sur la pompe. Consultez les illustrations de la rubrique *Assemblage du Nettoyeur à Pression*.
3. Vérifiez que l'appareil est en position horizontale.
4. Branchez le tuyau d'arrosage à la source d'eau sur la pompe du nettoyeur à pression.

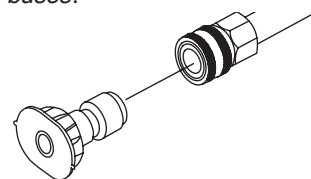
AVIS NE faites PAS marcher la pompe sans que le nettoyeur à pression soit connecté à la source d'eau ouverte.

- Vous devez suivre cet avertissement, au risque d'endommager la pompe.

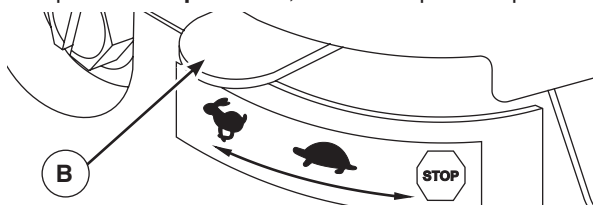
5. Ouvrez l'eau, appuyez sur le bouton rouge du pistolet et sur la détente pour purger la pompe de l'air et des impuretés qui s'y trouvent.
6. Fixez la rallonge du gicleur au pistolet pulvérisateur. Serrez manuellement.



7. Choisissez la buse que vous voulez utiliser, tirez la bague de la rallonge de buse, insérez la buse, puis relâchez la bague. Vérifiez si la buse est correctement installée en tirant dessus. Consultez la section *Comment utiliser les buses*.



8. Placez la manette de poussée (B) de puissance en position "Rapide" (illustrée ici par un lapin).



AVIS Avant de démarrer le nettoyeur à haute pression, assurez-vous de porter des lunettes de sécurité tel que décrit ci-dessous.

⚠ AVERTISSEMENT Risque de blessure aux yeux.
Le jet peut rejaillir sur vous ou propulser des objets et entraîner des blessures graves.

- Portez toujours des lunettes de sécurité à aération indirecte (contre les produits chimiques) spécifiées conformes à ANSI Z87.1 lorsque vous utilisez ou que vous vous trouvez à proximité de cet appareil.
- N'utilisez JAMAIS de lunettes de sécurité ou de lunettes de sécurité pour condition sèche au lieu de lunettes de sécurité à aération indirecte.

AVIS Votre moteur est doté d'une caractéristique exclusive à Briggs & Stratton appelée ReadyStart™, qui n'exige ni amorçage ni étrangleur et qui offre un démarrage amélioré, sans tracas.

9. Lors du démarrage du moteur, placez-vous tel que recommandé, saisissez la poignée du démarreur et tirez lentement jusqu'à ce que vous sentiez de la résistance. Tirez alors rapidement pour démarrer le moteur.



⚠ AVERTISSEMENT Un effet de recul (réaction rapide) de la corde du démarreur tirera votre main et votre bras vers le moteur plus rapidement que vous ne pouvez relâcher la corde; ce qui pourrait causer des fractures, des ecchymoses ou des entorses risquant d'entraîner des blessures graves.

- NE tirez JAMAIS sur la corde du démarreur sans avoir d'abord libéré la pression du pistolet de pulvérisation.
- Lors du démarrage du moteur, tirez lentement sur la corde jusqu'à ce que vous sentiez une résistance et tirez alors rapidement afin d'éviter un effet de recul.
- Après chaque tentative de démarrage, alors que le moteur n'a pas démarré, dirigez toujours le pistolet à pulvérisation vers un endroit sécuritaire et appuyez sur le bouton rouge et sur la détente du pistolet de pulvérisation pour libérer la haute pression.
- Lorsque vous utilisez une vaporisation à haute pression, saisissez fermement le pistolet de vaporisation avec les deux mains afin d'éviter les risques de blessures entraînés par les effets de recul.

10. Ramenez la poignée du démarreur lentement. NE laissez PAS le cordon se frapper contre le démarreur.

AVIS Toujours garder l'étrangleur le levier dans le "Rapide" la position en opérant la nettoyeur à pression.

⚠ AVERTISSEMENT Le jet d'eau à haute pression produit par cet appareil peut couper la peau et ses tissus sous-jacents et conduire à des blessures graves et même une amputation.

Le pistolet de pulvérisation retient une pression d'eau élevée, même lorsque le moteur est éteint et que l'eau est déconnectée, ce qui peut causer des blessures graves.



- N'autorisez JAMAIS des ENFANTS à se servir du nettoyeur à pression.
- Gardez toujours le tuyau flexible à haute pression raccordé à la pompe et au pistolet de pulvérisation lorsque le système est sous pression.
- N visez JAMAIS des personnes, des animaux ou des plantes avec le pistolet pulvérisateur.
- NE verrouillez PAS le pistolet de pulvérisation dans la position ouverte.
- NE laissez PAS le pistolet de pulvérisation sans surveillance alors que l'appareil est en marche.
- N'utilisez JAMAIS un pistolet de pulvérisation qui n'est pas muni d'un verrou d'arme ou d'un pontet installé et en ordre de marche.
- Assurez-vous toujours que le pistolet de pulvérisation, les buses et les accessoires sont bien fixés.

⚠ AVERTISSEMENT La chaleur et les gaz d'échappement peuvent enflammer des matériaux combustibles et les structures ainsi que causer des dommages au réservoir d'essence et provoquer un incendie risquant d'entraîner la mort ou des blessures graves.

Tout contact avec la zone du silencieux peut causer des brûlures risquant d'entraîner des blessures graves.

- NE touchez PAS aux pièces chaudes et ÉVITEZ le contact avec les gaz d'échappement.
 - Laissez l'équipement refroidir avant de le toucher.
 - Laissez un dégagement d'au moins 1,5 m (5 pi) tout autour de la nettoyeur à pression, y compris au-dessus.
 - L'utilisation ou le fonctionnement d'un moteur sur un terrain boisé, couvert de broussailles ou gazonné constitue une violation dans l'État de la Californie, en vertu de la section 4442 du California Public Resources Code, à moins qu'il ne soit doté d'un pare-étincelles tel que défini dans la section 4442 et maintenu en bon état de fonctionnement. Il se peut que d'autres États ou d'autres compétences fédérales aient des lois semblables.
- Communiquez avec le fabricant, le détaillant ou le concessionnaire original de l'appareil afin d'obtenir un pare-étincelles conçu pour le système d'échappement installé sur ce moteur.
- Les pièces de rechange doivent être identiques aux pièces d'origine et être installées à la même position.

Comment arrêter votre nettoyeur à pression

1. Relâchez la détente du pistolet de pulvérisation et laissez le moteur tourner au ralenti durant deux minutes.
2. Placez le manette de poussée du moteur en position "Slow" , puis à la position "Stop" .
3. Dirigez TOUJOURS le pistolet vers un endroit sécuritaire et appuyez sur le bouton rouge et sur la détente du pistolet de pulvérisation pour libérer la haute pression.

⚠ AVERTISSEMENT Le jet d'eau à haute pression produit par cet appareil peut couper la peau et ses tissus sous-jacents et conduire à des blessures graves et même une amputation.

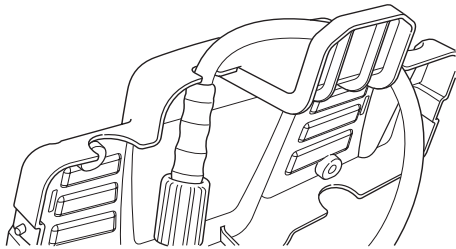
Le pistolet de pulvérisation retient une pression d'eau élevée, même lorsque le moteur est éteint et que l'eau est déconnectée, ce qui peut causer des blessures graves.

- Gardez toujours le tuyau flexible à haute pression raccordé à la pompe et au pistolet de pulvérisation lorsque le système est sous pression.
- À chaque fois que vous arrêtez le moteur, dirigez TOUJOURS le pistolet vers un endroit sécuritaire et appuyez sur le bouton rouge et sur la détente du pistolet de pulvérisation pour libérer la haute pression.

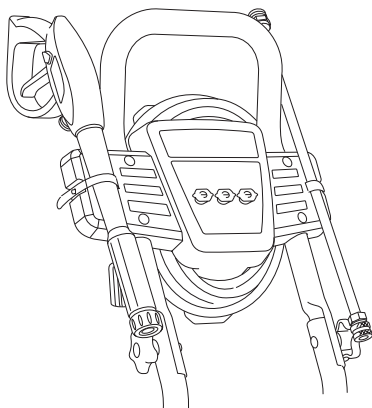
Comment utiliser le plateau pour accessoires

L'unité est dotée d'un plateau pour accessoires servant à ranger le pistolet de pulvérisation, la rallonge de buse et les buses. Des crochets sont aussi disponibles à l'arrière du plateau pour accessoires pour y enrouler le boyau à haute pression.

1. Placez une extrémité du boyau à haute pression dans la rainure se trouvant dans la partie supérieure du plateau pour accessoires et enroulez le boyau à haute pression sur les crochets tel que montré.



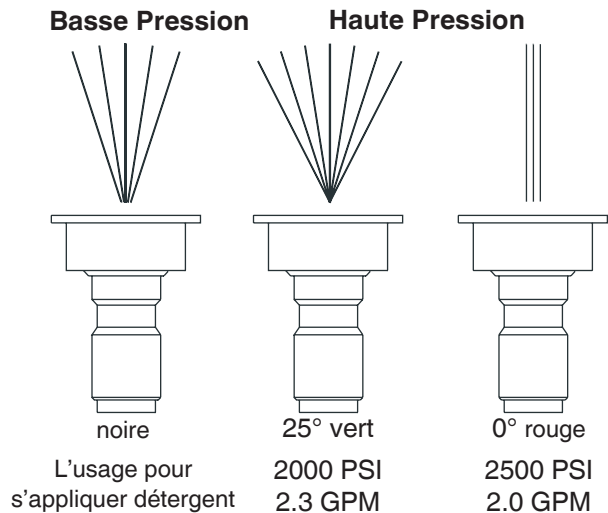
2. Placez la rallonge de buse sur la rainure se trouvant sur le plateau pour accessoires tel que montré. Tirez fermement la sangle en caoutchouc autour de la rallonge de buse et placez le trou de la sangle, sur la languette du plateau pour accessoires.



3. Placez le pistolet de pulvérisation sur la rainure se trouvant sur le plateau pour accessoires tel que montré. Tirez fermement la sangle en caoutchouc autour du pistolet de pulvérisation et placez le trou de la sangle sur la languette du plateau pour accessoires.
4. Insérez les buses multicolores dans les trous prévus à l'avant du plateau pour accessoires.

Comment utiliser les buses

Le raccord rapide de la rallonge de buse vous permet de changer les trois différentes buses. Les buses peuvent être changées pendant que le nettoyeur à haute pression est en marche, alors que le verrou de la détente du pistolet de pulvérisation est engagé. Chacune des buses donne un jet différent, tel qu'indiqué ci-dessus.



Pour changer les buses, veuillez suivre les directives suivantes :

1. Tirez la bague du raccord rapide et retirez la buse qui est déjà en place. Rangez les buses dans le porte-accessoires sur le plateau pour accessoires

⚠ AVERTISSEMENT Le jet d'eau à haute pression produit par cet appareil peut couper la peau et ses tissus sous-jacents et conduire à des blessures graves et même une amputation.

- Ne changez JAMAIS les buses sans avoir d'abord enclenché le verrou de la détente du pistolet de pulvérisation.
- NE tournez PAS les buses pendant la pulvérisation.

2. Choisissez la buse voulue:
 - Utilisez la buse 25° vert pour un rinçage délicat.
 - Utilisez la buse 0° rouge pour un rinçage maximum.
 - Utilisez la buse noire pour détergent pour l'application.
3. Tirez la bague, insérez la nouvelle buse, puis relâchez la bague. Vérifiez si la buse est correctement installée en tirant sur elle.

Conseils d'utilisation

- Pour obtenir un nettoyage optimal, gardez la buse à une distance de 20 à 61 cm (8 à 24 pouces) de la surface à nettoyer.
- Si la buse est trop près, vous risquez d'endommager la surface à nettoyer.
- NE vous approchez PAS à moins de 15 cm (6 pouces) lors du nettoyage de pneus.

Application de détergent

AVERTISSEMENT Danger de brûlures chimiques.

Les produits chimiques peuvent causer des brûlures risquant d'entraîner la mort ou des blessures graves.

- NE PAS utiliser de liquide caustique avec le nettoyeur à haute pression.
- Utilisez SEULEMENT des détergents/savons sans risque d'endommagement pour le nettoyeur à pression.

Pour appliquer des produits détergents, procédez comme suit:

1. Réviser la partie sur l'utilisation de la buse.
2. Préparez une solution détergente comme requis par le fabricant.
3. Placez la extrémité du tube siphon dans le récipient de détergent.

AVIS Assurez-vous que le tube est entièrement immergé dans le détergent lors de l'application du détergent.

AVIS Tout contact avec le silencieux chaud peut endommager le tube de siphonnement du détergent.

- Lorsque vous insérez le filtre dans une bouteille de solution de détergent, placez le tube de manière à ce qu'il n'entre pas en contact par mégarde avec le silencieux chaud.
- 4. Assurez-vous que la buse pour détergent est installée.

AVIS Les buses à haute pression (vert et rouge) ne peuvent pas être utilisées pour appliquer du détergent.

5. Assurez-vous que le boyau d'arrosage est connecté à l'entrée d'eau. Vérifiez si le boyau à haute pression est connecté au pistolet de pulvérisation et à la pompe. Ouvrez l'alimentation d'eau.

AVIS Vous devez attacher tous les tuyaux avant de démarrer le moteur.

- Si vous démarrez le moteur sans que tous les tuyaux soient branchés et sans que l'eau soit OUVERTE, vous allez abîmer la pompe.
- El daño a la limpiadora a presión, resultado de la desatención a esta precaución, no será cubierto por la garantía.

6. Démarrez le moteur selon les directives *Comment démarrer votre nettoyeur à pression*.
7. Appliquez le détergent sur une surface sèche, en commençant par la partie inférieure de la surface à nettoyer et travaillez vers le haut, avec de longs mouvements réguliers et qui se chevauchent.
8. Laissez le détergent "tremper" pendant 3 à 5 minutes avant de laver et de rincer. Appliquez à nouveau, si besoin est, pour éviter que la surface ne sèche. NE laissez PAS le détergent sécher (pour éviter les traces).

AVIS Vous devez rincer le système d'injection de produits détergents après chaque utilisation en plaçant le tube dans un seau rempli d'eau claire, puis faire fonctionner le nettoyeur à pression à basse pression pendant 1 à 2 minutes.

Rincer le nettoyeur à pression

Pour rincer:

1. Enlevez la buse noire de la rallonge de buse.
2. Sélectionnez la buse à haute pression désirée et installez-la en suivant les directives décrites dans la section *Comment utiliser les buses*.

3. NE placez PAS le pistolet pulvérisateur trop près de la surface que vous désirez pulvériser.

AVERTISSEMENT Un effet de recul du pistolet de pulvérisation peut causer une chute risquant d'entraîner la mort et des blessures graves.

- Utilisez le nettoyeur à pression à partir d'une surface stable.
- Soyez très vigilant si vous devez utiliser le nettoyeur à pression lorsque vous êtes dans une échelle, un échafaudage ou autre emplacement similaire.
- Lorsque vous utilisez une vaporisation à haute pression, saisissez fermement le pistolet de vaporisation avec les deux mains afin d'éviter les risques de blessures entraînés par les effets de recul.

4. Appliquez le jet à haute pression sur une petite surface, puis vérifiez-la pour voir si elle n'est pas abîmée. Si elle n'est pas abîmée, vous pouvez continuer.
5. Commencez en haut de l'endroit que vous devez rincer, en descendant avec les mêmes mouvements qui se chevauchent comme lorsque vous avez nettoyé.

Tube de siphonnement du détergent

Si vous utilisez le tube de siphonnement du détergent, vous devez le rincer à l'eau propre avant d'arrêter le moteur.

1. Placez le siphon d'injection de produits chimiques dans un seau rempli d'eau.
2. Retirez la buse à haute pression de la rallonge de buse.
3. Sélectionnez et installez la buse noire de détergeant selon les directives décrites dans la section *Comment utiliser les buses*.
4. Rincez durant 1 à 2 minutes.
5. Arrêtez OFF (0) le moteur selon les directives *Comment arrêter le nettoyeur à pression* et fermez l'alimentation en eau.
6. Dirigez TOUJOURS le pistolet à pulvérisation vers un endroit sécuritaire et appuyez sur le bouton rouge et sur la détente du pistolet de pulvérisation pour libérer la haute pression de l'eau.

AVERTISSEMENT Le jet d'eau à haute pression produit par cet appareil peut couper la peau et ses tissus sous-jacents et conduire à des blessures graves et même une amputation.

Le pistolet de pulvérisation retient une pression d'eau élevée, même lorsque le moteur est éteint et que l'eau est déconnectée, ce qui peut causer des blessures graves.

- Gardez toujours le tuyau flexible à haute pression raccordé à la pompe et au pistolet de pulvérisation lorsque le système est sous pression.
- À chaque fois que vous arrêtez le moteur, dirigez TOUJOURS le pistolet vers un endroit sécuritaire et appuyez sur le bouton rouge et sur la détente du pistolet de pulvérisation pour libérer la haute pression.

Système de refroidissement automatique (surpression thermique)

Si vous faites tourner le moteur de votre pulvérisateur pendant 3 à 5 minutes sans appuyer sur la gâchette du pistolet pulvérisateur, l'eau qui circule dans la pompe peut atteindre une température de 51° à 68°C (125° à 155°F). Lorsque l'eau atteint cette température, le système de refroidissement automatique se **déclenche et refroidit la pompe en vidant l'eau chaude sur le sol**.

CARACTÉRISTIQUES

RENSEIGNEMENTS TECHNIQUES SUR LE MOTEUR

Il s'agit d'un moteur à un cylindre à soupapes latérales refroidi à l'air.

Les moteurs de la 120000 sont homologués dans l'état de la Californie par le California Air Resources Board. Selon cet organisme, ils satisferont les normes relatives aux émissions durant 125 heures d'utilisation. Ce type d'homologation ne donne à l'acheteur, au propriétaire ou à l'utilisateur aucune garantie supplémentaire en ce qui a trait à la performance ou à la durée de vie du moteur. La garantie du moteur ne couvre que les garanties relatives au produit et aux émissions dont il est fait mention ailleurs dans ce manuel.

Puissance nominale

Les valeurs brutes de puissance nominale de chaque modèle de moteur à essence sont indiquées conformément au code J1940 Procédure d'évaluation de la puissance et du couple nominaux des petits moteurs de la SAE (Society of Automotive Engineers) et sont évaluées conformément à SAE J1995. Les valeurs de couple sont dérivées à 2 600 tr/min pour les moteurs dont la valeur en « tr/min » est inscrite sur l'étiquette et à 3 600 tr/min pour tous les autres; les valeurs de puissance en hp sont dérivées à 3 600 tr/min. Les courbes de puissance brute peuvent être consultées sur le site www.BRIGGSandSTRATTON.COM. Les valeurs nettes de puissance sont relevées lorsque l'échappement et le filtre à air sont installés alors que les valeurs brutes de puissance sont mesurées sans ces accessoires. La valeur brute de puissance réelle du moteur sera supérieure à la valeur nette de puissance du moteur et est fonction, entre autres, des conditions ambiantes de fonctionnement ainsi que des différences d'un moteur à l'autre. Étant donnée la vaste gamme de produits sur lesquels les moteurs sont installés, le moteur à essence peut ne pas développer la valeur brute de puissance nominale lorsqu'il est utilisé pour entraîner une pièce d'appareil motorisée donnée. Cette différence est causée par différents facteurs dont, entre autres, la variété des composants du moteur (filtre à air, échappement, chargement, refroidissement, carburateur, pompe à essence, etc.), les limites de l'appareil, les conditions de fonctionnement ambiante (température, humidité, altitude) et les différences d'un moteur à l'autre. En raison des limites de fabrication et de capacité, Briggs & Stratton peut substituer à ce moteur, un moteur de puissance supérieure.

CARACTÉRISTIQUES DU PRODUIT

Caractéristiques du nettoyeur à pression

Max pression nominale 172,3 BARS @ 7,6 litres/min
(2,500 PSI @ 2,0 GPM)*

Max débit d'écoulement 137,9 BARS @ 8,7 litres/min
(2,000 PSI @ 2,3 GPM)*

Détergent Utilisez selon les instructions

Température De L'eau . Ne doit pas dépasser 38°C (100°F)

Caractéristiques du moteur

Alésage. 68 mm (2,69 po.)

Course de piston 52 mm (2,04 po.)

Cylindre. 190 cc (11,57 po.)

Bougie d'allumage

Type : Briggs & Stratton 802592 ou 5095

Définir l'écartement à : 0,76mm (0,030 po)

Distance d'éclatement : 0,15-0,25 mm (0,006-0,010 po)

Jeu des soupapes avec ressorts de soupape installés et piston 6 mm (1/4 po) passé le point mort supérieur (à vérifier lorsque le moteur est froid).

Admission. 0,13-0,18 mm (0,005-0,007 po)

Échappement. 0,18-0,23 mm (0,007-0,009 po)

Capacité du réservoir de combustible . . . 1,5 l (1,6 quart US)

Capacité du huile 0,5 l (18 onces US)

AVIS Pour un meilleur fonctionnement, la charge utile de l'alternateur ne devrait pas dépasser 85 % de la puissance nominale. La puissance du moteur sera réduite de 3,5 % pour chaque 300 mètres (1 000 pieds) au-dessus du niveau de la mer, et de 1 % pour chaque 5,6° C (10° F) au-dessus de 25° C (77° F). Il devrait fonctionner de façon satisfaisante jusqu'à un angle maximum de 15°.

* Les caractéristiques nominales de ce nettoyeur à haute pression sont conformes à la norme PW101-2010 de la Pressure Washer Manufacturers Association (PWMA) (Tests et performance nominale des nettoyeurs à haute pression).

Ce système d'allumage par étincelle de véhicule est conforme à la norme NMB-002 du Canada.

ENTRETIEN

RESPONSABILITÉS DU PROPRIÉTAIRE

Respectez le calendrier d'entretien du nettoyeur selon le nombre d'heures de fonctionnement ou le temps écoulé, le premier des deux prévalant. Lorsque l'appareil est utilisé dans les conditions adverses décrites ci-dessous, il faut en faire l'entretien plus fréquemment.

Cinq (5) premières heures
<ul style="list-style-type: none">• Changer l'huile du moteur
Aux 8 heures ou Quotidien
<ul style="list-style-type: none">• Vérifier/nettoyer la crépine d'eau d'arrivée¹• Vérifier le tuyau à haute pression• Vérification du tube de siphonnement du détergent• Vérifier la présence de fuites dans le pistolet à pulvérisation et l'assemblage• Nettoyez les débris• Vérifier le niveau d'huile du moteur
Aux 25 heures ou 1 fois l'an
<ul style="list-style-type: none">• Faire l'entretien du filtre à air²
Aux 50 heures ou 1 fois l'an
<ul style="list-style-type: none">• Changer l'huile du moteur• Inspectez le silencieux et l'écran pare-étincelles
Aux 100 heures ou 1 fois l'an
<ul style="list-style-type: none">• Faire l'entretien de la bougie d'allumage• Nettoyez le système de refroidissement²

¹ Nettoyez l'appareil s'il est encrassé. Remplacez toute pièce perforée ou endommagée.

² Remplacez les pièces plus fréquemment si vous utilisez l'appareil dans un milieu sale ou poussiéreux.

Recommandations General

Un entretien régulier améliorera la performance et prolongera la durée de vie du nettoyeur à haute pression. Consultez un détaillant autorisé Sears pour l'entretien.

La garantie du nettoyeur à pression ne couvre pas les éléments soumis à l'abus ou à la négligence de l'opérateur. Pour obtenir la pleine application de la garantie, il faut que l'opérateur fasse l'entretien du nettoyeur à haute pression conformément aux directives de ce manuel d'utilisation y compris son entreposage adéquat selon les directives de la section *Entreposage*.

Pour assurer l'entretien adéquat du nettoyeur à haute pression, il faut effectuer périodiquement certains réglages.

Il faut effectuer toutes les opérations d'entretien et les réglages au moins une fois par saison. Une nouvelle bougie d'allumage et un filtre à air propre permettent d'assurer que le mélange essence-air est adéquat en plus de contribuer au meilleur fonctionnement de votre moteur et d'augmenter sa durée de vie. Suivez les instructions du *Calendrier d'entretien* ci-dessus.

Contrôle des émissions

L'entretien, le remplacement ou la réparation des dispositifs et systèmes antipollution peuvent être effectués par un établissement de réparation de moteurs hors route ou par une personne qualifiée. Pour obtenir un entretien « sans frais » du dispositif antipollution, le travail doit être effectué par un détaillant autorisé Sears par le fabricant. Voir la *garantie du dispositif antipollution*.

Entretien de la pompe à huile

NE tentez PAS d'effectuer d'entretien relatif à l'huile sur la pompe. Ce modèle ne nécessite aucun entretien d'huile pour la pompe. La pompe est pré-lubrifiée et scellée en usine, ne nécessitant aucune lubrification supplémentaire au cours de la durée de vie de la pompe.

Avant chaque utilisation

1. Vérifiez le niveau d'huile du moteur.
2. Nettoyez des débris.
3. Vérifiez si la grille de la prise d'eau n'est pas abîmée.
4. Vérifiez si le tuyau à haute pression n'a pas de fuite.
5. Vérifiez si des dommages sont visibles sur le tube de siphonnement du détergent.
6. Vérifiez si le pistolet pulvérisateur et de l'assemblage de la rallonge réglable du gicleur n'ont pas de fuite.
7. Rincez le boyau d'arrosage pour déloger tous débris.

ENTRETIEN DU NETTOYEUR À PRESSION

Nettoyage des débris

Nettoyez les débris accumulés sur le nettoyeur à pression tous les jours ou avant de l'utiliser. Gardez toujours la tringlerie, le ressort et les commandes propres. Gardez la zone autour et derrière le silencieux libre de débris combustibles. Inspectez les fentes d'air de refroidissement et les ouvertures sur le nettoyeur à pression. Ces ouvertures doivent demeurer propres et non obstruées.

Les parties du nettoyeur à haute pression doivent être gardées propres afin de réduire le risque de surchauffe et d'inflammation des débris accumulés.

- Utilisez un linge humide pour nettoyer les surfaces extérieures.

AVIS El tratamiento inadecuado del limpiadora a presión puede dañarlo y acortar su vida productiva.

- N'INSÉREZ aucun objet dans les fentes de refroidissement.
- Utilisez une brosse à soies douces pour détacher les accumulations de saletés, d'huile, etc.
- Utilisez un aspirateur pour ramasser les saletés et débris.

Vérifiez et nettoyez la grille de la prise d'eau

Inspectez la grille de la prise d'eau. Nettoyez-la si elle est bouchée ou remplacez-la si elle est endommagée.

Vérifiez le tuyau à haute pression

Le tuyau à haute pression peut avoir des fuites, s'il est usé, tordu ou mal utilisé. Inspectez le tuyau avant chaque utilisation. Vérifiez tous les tuyaux pour les coupures, les fuites, l'abrasion ou le gonflement du couvercle, ou si certains raccords sont abîmés ou mobiles. Si vous remarquez quelque chose, remplacez immédiatement le tuyau.

▲ AVERTISSEMENT Le jet d'eau à haute pression produit par cet appareil peut couper la peau et ses tissus sous-jacents et conduire à des blessures graves et même une amputation.

- NE réparez JAMAIS les tuyaux à haute pression. Remplacez.
- Le tuyau de remplacement DOIT résister à une pression égale ou supérieure à la pression nominale de l'appareil.

Vérifiez le tube de siphonnement du détergent

Examinez le tube de siphonnement et nettoyez-le s'il est encrassé. Le tube doit s'ajuster fermement au raccord à barbelure. Examinez le tube pour déceler des fuites ou craquelures. Remplacez le tube si endommagé.

Bille de retenue de siphonnement de détergent

Il arrive occasionnellement que la bille de retenue du système de siphonnement de détergent soit obstruée en raison de l'entreposage, du savon asséché ou de minéraux dans l'eau. La bille de retenue peut être libérée de ces matières en exécutant la procédure suivante :

AVIS Avant d'effectuer cette procédure, assurez-vous de porter des lunettes de sécurité tel que décrit ci-dessous.

▲ AVERTISSEMENT Risque de blessure aux yeux. Le jet peut rejaillir sur vous ou propulser des objets et entraîner des blessures graves.

- Portez toujours des lunettes de sécurité à aération indirecte (contre les produits chimiques) spécifiées conformes à ANSI Z87.1 lorsque vous utilisez ou que vous vous trouvez à proximité de cet appareil.
 - N'utilisez JAMAIS de lunettes de sécurité ou de lunettes de sécurité à aération indirecte.
1. Éteignez OFF (0) le moteur et fermez l'alimentation en eau.
 2. Dirigez TOUJOURS le pistolet à pulvérisation vers un endroit sécuritaire et appuyez sur le bouton rouge et sur la détente du pistolet de pulvérisation pour libérer la haute pression de l'eau.

▲ AVERTISSEMENT Le jet d'eau à haute pression produit par cet appareil peut couper la peau et ses tissus sous-jacents et conduire à des blessures graves et même une amputation.

- Le pistolet de pulvérisation retient une pression d'eau élevée, même lorsque le moteur est éteint et que l'eau est déconnectée, ce qui peut causer des blessures graves.
- Gardez toujours le tuyau flexible à haute pression raccordé à la pompe et au pistolet de pulvérisation lorsque le système est sous pression.
 - À chaque fois que vous arrêtez le moteur, dirigez TOUJOURS le pistolet vers un endroit sécuritaire et appuyez sur le bouton rouge et sur la détente du pistolet de pulvérisation pour libérer la haute pression.

3. Retirez le tuyau de siphonnement de détergent du raccord à barbelure sur la pompe.
4. En utilisant un objet contondant solide de 7/63 po de diamètre ou plus petit et d'au moins 1 po de long, tel qu'une clé Allen, insérez l'objet dans le raccord à barbelure jusqu'à ce que vous ressentiez une résistance. La résistance que vous ressentirez sera causée par la bille de retenue.
5. Poussez lentement vers le bas jusqu'à ce que vous ressentiez la bille se déplacer légèrement; n'allez pas au-delà de 1/8 po. Une légère pression peut être requise pour libérer la bille.
6. Répétez les étapes 4 et 5 au besoin.
7. Remplacez le tuyau de siphonnement de détergent sur le raccord à barbelure.
8. Appliquez un traitement avec PumpSaver tel que décrit dans *Protection de la pompe* pour l'entreposage afin d'éviter de nouvelles occurrences d'obstruction.

Vérifiez le pistolet à pulvérisation

Examinez le branchement du boyau au pistolet à pulvérisation et assurez-vous que le branchement est solide. Faites l'essai de la détente en appuyant sur le bouton rouge et en vous assurant que la détente revient à sa position initiale lorsque vous la relâchez. Vous ne devriez pas être en mesure d'actionner la détente sans avoir appuyé sur le bouton rouge. Remplacez le pistolet à pulvérisation immédiatement s'il échoue un de ces essais.

Entretien de la buse

Si vous sentez un effet de pulsation en appuyant sur la détente du pistolet de pulvérisation, c'est que la pression de la pompe est peut-être trop élevée. Cela peut se produire si la buse est obstruée, complètement ou en partie, par un corps étranger, comme des saletés, etc. Pour remédier à ce problème, nettoyez immédiatement la buse en suivant ces instructions :

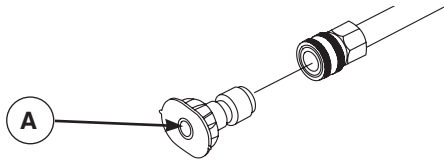
1. Éteignez OFF (0) le moteur et fermez l'alimentation en eau.
2. Dirigez TOUJOURS le pistolet à pulvérisation vers un endroit sécuritaire et appuyez sur le bouton rouge et sur la détente du pistolet de pulvérisation pour libérer la haute pression de l'eau.

▲ AVERTISSEMENT Le jet d'eau à haute pression produit par cet appareil peut couper la peau et ses tissus sous-jacents et conduire à des blessures graves et même une amputation.

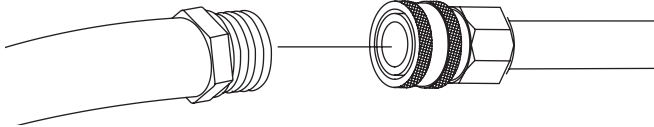
Le pistolet de pulvérisation retient une pression d'eau élevée, même lorsque le moteur est éteint et que l'eau est déconnectée, ce qui peut causer des blessures graves.

- Gardez toujours le tuyau flexible à haute pression raccordé à la pompe et au pistolet de pulvérisation lorsque le système est sous pression.
- À chaque fois que vous arrêtez le moteur, dirigez TOUJOURS le pistolet vers un endroit sécuritaire et appuyez sur le bouton rouge et sur la détente du pistolet de pulvérisation pour libérer la haute pression.

3. Enlevez la buse de l'extrémité de la rallonge de buse.
4. Utilisez un trombone pour dégager tout élément pouvant obstruer la buse (A).



5. Détachez la rallonge du pistolet pulvérisateur.
6. À l'aide d'un tuyau d'arrosage, enlevez les débris supplémentaires en rinçant la rallonge de buse. Rincez-la pendant 30 à 60 secondes.



7. Réinstallez la buse dans la rallonge de buse.
8. Rebranchez la rallonge de buse sur le pistolet de pulvérisation.
9. Assurez-vous que le boyau d'arrosage est connecté à l'entrée d'eau. Vérifiez si le boyau à haute pression est connecté au pistolet de pulvérisation et à la pompe. Ouvrez l'alimentation d'eau.
10. Engagez le verrou de la détente du pistolet de pulvérisation et démarrez le moteur selon les directives *Comment démarrer votre nettoyeur à pression*.
11. Testez le nettoyeur à pression en l'utilisant avec chaque buse à raccord rapide.

Entretien du joint torique

Procurez-vous un nécessaire de réparation de joint torique, au magasin Sears de votre localité, en téléphonant au numéro sans frais **1-800-4-MY-HOME (469-4663)** ou sur Internet à www.sears.ca. Ce nécessaire n'est pas inclus avec le nettoyeur à haute pression. Le nécessaire comprend des joints toriques de rechange, une rondelle de caoutchouc et un filtre d'arrivée d'eau. Pour remplacer les joints toriques de votre nettoyeur, consultez la feuille d'instructions fournie avec le nécessaire.

⚠ AVERTISSEMENT Le jet d'eau à haute pression produit par cet appareil peut couper la peau et ses tissus sous-jacents et conduire à des blessures graves et même une amputation.

- Ne réparez JAMAIS des raccords non étanches à l'aide de scellant. Remplacez le joint torique ou le joint d'étanchéité.

ENTRETIEN DU MOTEUR

⚠ AVERTISSEMENT Une étincelle involontaire peut causer un incendie et un choc électrique et entraîner la mort et des blessures graves.



LORSQUE VOUS RÉGLEZ OU RÉPAREZ VOTRE NETTOYEUR À PRESSION

- Débranchez toujours le câble de bougie et placez-le de façon à ce qu'il ne soit pas en contact avec la bougie.

LORS DE TESTS D'ALLUMAGE DU MOTEUR

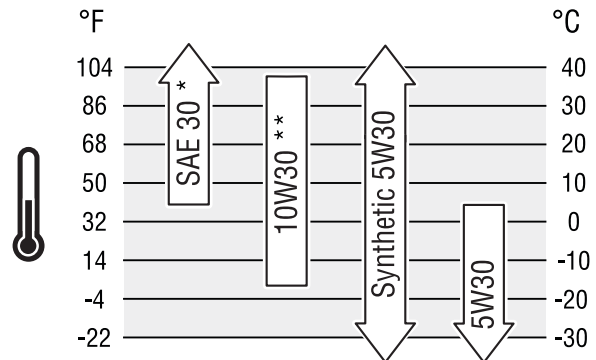
- Utilisez un vérificateur de bougies d'allumage approuvé.
- NE vérifiez PAS l'allumage lorsque la bougie d'allumage est enlevée.

Huile

Recommandations relatives à l'huile

Nous recommandons l'utilisation des huiles certifiées par garantie Briggs & Stratton pour obtenir une meilleure performance. Les autres huiles détergentes de haute qualité sont acceptables si elles ont les cotes pour service SF, SG, SH, SJ ou plus. N'utilisez pas d'additifs spéciaux.

Les températures extérieures déterminent la viscosité de l'huile requise pour le moteur. Utilisez le tableau pour choisir la meilleure viscosité pour la gamme de températures extérieures attendues.



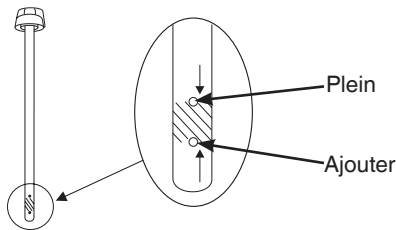
* Sous 40°F (4°C), l'utilisation d'une huile SAE 30 entraîne un démarrage difficile.

** Au-dessus de 80°F (27°C), l'utilisation d'une huile 10W30 peut entraîner une consommation d'huile plus élevée. Vérifiez fréquemment le niveau d'huile.

Vérification du niveau d'huile

Il est nécessaire de vérifier le niveau d'huile avant chaque utilisation ou après chaque période de 8 heures d'utilisation. Gardez un niveau d'huile constant.

1. Assurez-vous que nettoyeur à pression se trouve sur une surface de niveau.
2. Enlevez la jauge d'huile et nettoyez-la avec un linge. Remplacez-la et resserrez-la. Retirez la jauge et vérifiez le niveau d'huile.
3. Vérifiez que l'huile est à la marque Full (premier trou) sur la jauge de niveau d'huile. Remplacez-la et resserrez-la.



Ajout d'huile

1. Assurez-vous que nettoyeur à pression se trouve sur une surface de niveau.
2. Vérifiez le niveau d'huile de la manière décrite dans la rubrique *Vérification du niveau d'huile*.
3. Au besoin, videz lentement l'huile dans l'orifice de remplissage d'huile, jusqu'à marque Full (premier trou) sur la jauge de niveau d'huile. NE remplissez PAS trop le carter d'huile.

AVIS Le moteur risque de ne pas démarrer ou de démarrer difficilement lorsqu'il est trop rempli d'huile.

- NE remplissez PAS trop.
 - Si le niveau d'huile dépasse la marque FULL de la jauge d'huile, vidangez l'huile de sorte que le niveau soit égal à la marque FULL de la jauge d'huile.
4. Remplacez-la et resserrez-la.

Vidange de l'huile moteur

Si vous utilisez votre nettoyeur à pression dans un endroit très sale ou poussiéreux ou par temps très chaud, changez l'huile plus fréquemment.

ATTENTION Évitez tout contact cutané prolongé ou répété avec l'huile moteur usagée.

- Il a été démontré que l'huile moteur usagée risque de provoquer un cancer de la peau chez certains animaux de laboratoire.
- Rincez consciencieusement les zones exposées avec de l'eau et du savon.



GARDEZ HOS DE PORTÉE DES ENFANTS. NE POLLUEZ PAS. CONSERVEZ LE SURPLUS. RAPPORTEZ L'HUILE USAGÉE AUX CENTRES DE RECYCLAGE.

Changez l'huile alors que le moteur est encore chaud, de la façon suivante:

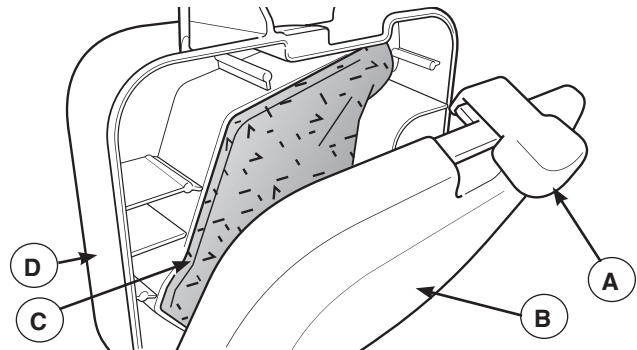
1. Videz le réservoir d'essence en faisant tourner le nettoyeur à pression jusqu'à l'épuisement de l'essence.
2. Débranchez le fil de la bougie d'allumage et gardez-le éloigné de la bougie d'allumage.
3. Nettoyez la surface autour de l'orifice de remplissage d'huile, enlevez le bouchon de remplissage d'huile et la jauge d'huile. Essuyez la jauge d'huile.
4. Inclinez votre nettoyeur à haute pression pour vidanger l'huile par l'orifice de remplissage dans un contenant adéquat en vous assurant d'incliner le nettoyeur du côté opposé à la bougie d'allumage et au filtre à air. Une fois le carter vidé de son huile, remettez le nettoyeur debout.
5. Videz lentement l'huile (environ 18 oz (0,5 l)) dans l'orifice de remplissage d'huile, jusqu'à marque Full (premier trou) sur la jauge de niveau d'huile.
6. Essuyez la jauge d'huile chaque fois que vous vérifiez le niveau d'huile. NE remplissez PAS trop le carter d'huile.
7. Remplacez-la et resserrez-la.
8. Essuyez toute huile restante.
9. Rebranchez le fil de la bougie d'allumage à la bougie d'allumage.

Entretien du filtre à air

Votre moteur ne fonctionnera pas adéquatement et pourrait s'endommager si vous le faites fonctionner avec un filtre à air sale. Remplacez le filtre plus souvent si vous utilisez le nettoyeur dans un endroit sale ou poussiéreux. Vous trouverez des pièces de rechange au centre de service Sears de votre région.

Pour faire l'entretien du filtre à air, procédez comme suit:

1. Glissez le levier du filtre à air (A) à la position déverrouillée (🔓) et abaissez le couvercle (B).



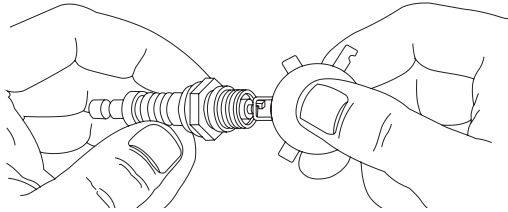
2. Enlevez filtre à air avec soin de manière à éviter la chute de débris dans le carburateur.
3. Nettoyez le filtre à air (C) en mousse dans un mélange de détergent liquide et d'eau. Séchez le filtre en le comprimant dans un linge propre.
4. Saturer le filtre à air en mousse d'huile à moteur et compressez-le dans un linge propre pour enlever l'excédent d'huile.
5. Remplacez l'ensemble filtre à air avec le filtre en mousse propre ou un filtre neuf dans la base (D).
6. Relevez le couvercle et glissez le levier à la position verrouillée (🔒).

AVIS Puede adquirir nuevos filtre à air al número telefónico **1-800-4-MY-HOME (469-4663)**.

Entretien de la bougie d'allumage

Changez la bougie d'allumage le moteur démarrera plus facilement et fonctionnera mieux.

1. Nettoyez la surface autour de la bougie d'allumage.
2. Enlevez la bougie d'allumage et examinez-la.
3. Si les électrodes sont usés ou si la porcelaine est craquée ou écaillée. Utilisez la bougie de remplacement recommandée. Consultez *Spécifications*.
4. Vérifiez l'écartement des électrodes à l'aide d'une jauge d'épaisseur et ajustez l'écartement des électrode selon les spécifications recommandées au besoin (voir *Spécifications*).



5. Installez la bougie d'allumage et serrez-la solidement.

AVIS Puede adquirir nuevos bujía al número telefónico **1-800-4-MY-HOME (469-4663)**.

Entretien du pare-étincelles

Inspectez s'il y a des fissures, corrosion ou autre dommage du silencieux. Retirez l'écran pare-étincelles, si inclus, et inspectez s'il y a des dommages ou obstruction de calamine. S'il y a besoin des pièces de rechange, assurez-vous d'installer seulement des pièces de rechange originales pour l'équipement.

▲ AVERTISSEMENT



La chaleur et les gaz d'échappement peuvent enflammer des matériaux combustibles et les structures ainsi que causer des dommages au réservoir d'essence et provoquer un incendie risquant d'entraîner la mort ou des blessures graves.

- Tout contact avec la zone du silencieux peut causer des brûlures risquant d'entraîner des blessures graves.
- NE touchez PAS aux pièces chaudes et ÉVITEZ le contact avec les gaz d'échappement.
- Laissez l'équipement refroidir avant de le toucher.
- Laissez un dégagement d'au moins 1,5 m (5 pi) tout autour de la nettoyeur à pression, y compris au-dessus.
- L'utilisation ou le fonctionnement d'un moteur sur un terrain boisé, couvert de broussailles ou gazonné constitue une violation dans l'État de la Californie, en vertu de la section 4442 du California Public Resources Code, à moins qu'il ne soit doté d'un pare-étincelles tel que défini dans la section 4442 et maintenu en bon état de fonctionnement. Il se peut que d'autres États ou d'autres compétences fédérales aient des lois semblables.

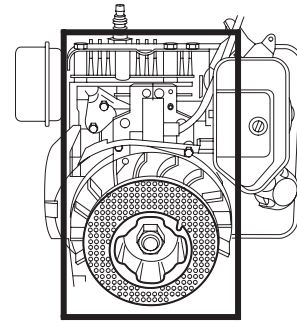
Communiquez avec le fabricant, le détaillant ou le concessionnaire original de l'appareil afin d'obtenir un pare-étincelles conçu pour le système d'échappement installé sur ce moteur.

- Les pièces de rechange doivent être identiques aux pièces d'origine et être installées à la même position.

Système de refroidissement à air

Avec le temps, les débris peuvent s'accumuler dans les ailettes de refroidissement du cylindre et ne peuvent être repérés que par un désassemblage partiel du moteur. Nous vous recommandons donc de demander à un distributeur de service Sears autorisé de nettoyer le système de refroidissement aux intervalles recommandés (consultez la section *Calendrier d'entretien*). Il est aussi important de garder le moteur libre de débris. Consultez la section *Nettoyage des débris*.

Mantenga libres de residuos las zonas situadas dentro de las líneas gruesas.



Réglage du carburateur

Le carburateur de ce moteur ne produit que de faibles émissions. Il est muni d'une soupape de mélange de ralenti non réglable. La vitesse maximale a été réglée en usine. Si vous devez effectuer un réglage, consultez un distributeur de service Sears.

- ▲ **ATTENTION** Des vitesses de fonctionnement excessivement élevées peuvent causer des blessures mineures
Des vitesses excessivement lentes produisent une charge importante.
- NE modifiez PAS la vitesse réglée du moteur. Le nettoyeur à haute pression fournit une pression et un débit approprié lorsqu'il fonctionne à une vitesse réglée du moteur.
 - Ne modifiez PAS le nettoyeur à haute pression d'aucune façon.

Après chaque utilisation

L'eau ne doit pas demeurer dans le nettoyeur durant une longue période de temps. Des sédiments ou des minéraux pourraient s'accumuler sur les pièces de la pompe et bloquer son mouvement. Suivez la procédure suivante après chaque utilisation:

1. Éteignez OFF (0) le moteur, fermez l'alimentation en eau, dirigez pistolet vers un endroit sécuritaire et appuyez sur le bouton rouge et sur la détente pour libérer la pression et laissez refroidir le moteur.

▲ AVERTISSEMENT Le jet d'eau à haute pression produit par cet appareil peut couper la peau et ses tissus sous-jacents et conduire à des blessures graves et même une amputation.

Le pistolet de pulvérisation retient une pression d'eau élevée, même lorsque le moteur est éteint et que l'eau est déconnectée, ce qui peut causer des blessures graves.

- Gardez toujours le tuyau flexible à haute pression raccordé à la pompe et au pistolet de pulvérisation lorsque le système est sous pression.
- À chaque fois que vous arrêtez le moteur, dirigez TOUJOURS le pistolet vers un endroit sécuritaire et appuyez sur le bouton rouge et sur la détente du pistolet de pulvérisation pour libérer la haute pression.

2. Débranchez le tuyau du pistolet de pulvérisation et de la sortie haute pression de la pompe. Vidangez l'eau du tuyau, du pistolet et de la rallonge de buse. Utilisez un chiffon pour essuyer le tuyau.
3. Placez le pistolet de pulvérisation, la rallonge de buse et les buses dans le plateau pour accessoires. Suspendez le tuyau à haute pression sur le crochet fixé à l'avant du plateau pour accessoires.
4. Videz la pompe de tout liquide en tirant sur la poignée du lanceur environ 6 fois. Cette opération devrait suffire pour enlever presque tout le liquide dans la pompe.
5. Entrez le nettoyeur dans un endroit propre et sec.
6. Si vous remisez le nettoyeur durant plus de 30 jours, consultez la section *Entreposage à long terme*.

▲ AVERTISSEMENT L'essence et ses vapeurs sont extrêmement inflammables et explosives qui pourraient causer des brûlures, un incendie ou une explosion risquant d'entraîner la mort ou des blessures graves.

LORSQUE VOUS ENTREPOSEZ L'ESSENCE OU UN ÉQUIPEMENT AVEC UN RÉSERVOIR À ESSENCE

- Entrez loin des fournaies, poêle, chauffe-eau, sècheuses ou autres électroménagers munis d'une veilleuse ou d'une source d'allumage car ils peuvent allumer les vapeurs d'essence.

RANGEMENT

ENTREPOSAGE POUR L'HIVER

AVIS Vous devez protéger votre appareil contre le gel.

- Si vous ne le faites pas, vous pouvez causer des dommages irréversibles à votre pompe qui la rendront inutilisable.
- Les dommages causés par le gel ne sont pas couverts par la garantie.

Pour protéger l'appareil contre le gel:

1. Répéter des étapes 1-4 dans la section précédente *Après Chaque Utilisation*.
2. Utilisez "Pump Saver" pour traiter votre pompe. Ce produit vous permet de réduire les dommages causés par le gel et de lubrifier les pistons et les joints.
3. Si "Pump saver" n'est pas disponible, raccordez une section de tuyau d'arrosage de 1 m (3 pi) de long à un raccord d'eau d'arrivée. Versez de l'antigel de véhicule de plaisance (antigel sans alcool) dans le tuyau. Tirez sur la poignée du lanceur deux fois. Débranchez le tuyau de 1 m (3 pi).
4. Entreposez le nettoyeur dans un endroit propre et sec.

ENTREPOSAGE À LONG TERME

Si vous ne prévoyez pas utiliser le nettoyeur à haute pression durant plus de 30 jours, vous devez préparer le moteur et la pompe pour l'entreposage à long terme.

Protection du système d'alimentation

Additif de carburant :

Le carburant peut se dégrader lorsqu'il est conservé pendant plus de 30 jours. Un carburant éventé provoque la formation de dépôts acides et de gomme dans le circuit de carburant ou sur les pièces essentielles du carburateur. Pour garder l'essence fraîche, utilisez le produit stabilisateur et de traitement de l'essence à formule évoluée de Briggs & Stratton® (Advanced Formula Fuel Treatment & Stabilizer, disponible partout où les pièces d'origine d'entretien de Briggs & Stratton sont vendues.

Pour les moteurs munis d'un bouchon à essence FRESH START®, utilisez le produit FRESH START® de Briggs & Stratton, disponible en cartouche de liquide concentré.

Il est inutile de vidanger le carburant du moteur si vous ajoutez un stabilisateur d'essence conformément aux directives. Faites tourner le moteur pendant 2 minutes pour faire circuler le stabilisateur dans le circuit de carburant avant l'entreposage.

Si le carburant dans le moteur n'a pas été traité avec un stabilisateur de carburant, il doit être vidangé dans un récipient approuvé. Faites fonctionner le moteur jusqu'à ce qu'il s'arrête par manque de carburant. L'utilisation d'un stabilisateur de carburant dans le récipient d'entreposage est recommandée pour que le carburant conserve toutes ses propriétés.

Changement de l'huile

Alors que le moteur est encore chaud, vidangez l'huile du carter. Remplissez le carter à nouveau avec de l'huile de la qualité recommandée. Consultez la section *Changement d'huile*.

Protection de la pompe

Utilisez PumpSaver pour traiter la pompe contre les dommages causés par de dépôts minéraux ou le gel. Vous préviendrez ainsi les dommages causés par le gel et lubrifierez les pistons et les joints.

AVIS PumpSaver est un accessoire disponible en option. Il n'est pas fourni avec le nettoyeur à pression. Contactez le détaillant agréé de service après vente situé le plus près de chez vous pour vous procurer PumpSaver.

AVIS Vous devez protéger votre appareil contre le gel.

- Si vous ne le faites pas, vous pouvez causer des dommages irréversibles à votre pompe qui la rendront inutilisable.
- Les dommages causés par le gel ne sont pas couverts par la garantie.

Pour utiliser PumpSaver, assurez-vous que le nettoyeur à haute pression est en position d'arrêt et débranché de l'alimentation d'eau. Veuillez lire les directives et les avertissements mentionnés sur le contenant de PumpSaver.

Autres directives

1. N'entreposez PAS d'essence d'une saison à l'autre à moins qu'elle ne soit traitée tel que décrit dans *Protection du système d'alimentation*.
2. Remplacez le contenant à essence s'il commence à rouiller. Un carburant contaminé peut causer des problèmes de moteur.
3. Couvrez l'appareil à l'aide d'une housse de protection adéquate qui ne retient pas l'humidité.

⚠ AVERTISSEMENT Les couvercles de rangement peuvent causer un incendie risquant d'entraîner la mort ou des blessures graves.

- NE placez JAMAIS une couverture de rangement sur un nettoyeur à pression.
- Laissez l'appareil refroidir suffisamment avant de placer la couverture de rangement dessus.

4. Entreposez la nettoyeur à pression dans un endroit propre et sec.

DÉPANNAGE

Problème	Cause	Correction
La pompe a les problèmes suivants: pas de pression, pression irrégulière, pression, claquement, perte de pression, faible débit d'eau.	<ol style="list-style-type: none"> 1. Buse à basse pression installée. 2. Entrée d'eau bloquée. 3. Pas assez d'eau qui arrive. 4. Tuyau d'entrée tortillé ou avec fuites. 5. Filtre de tuyau bouché. 6. Eau à plus de 38°C (100°F). 7. Tuyau de sortie bloqué ou avec fuites. 8. Le pistolet fuie. 9. La buse est bouchée. 10. La pompe est défectueuse. 	<ol style="list-style-type: none"> 1. Remplacez la buse par la buse à haute pression. 2. Dégager l'entrée d'eau. 3. Fournir un débit adéquat. 4. Redresser le tuyau, boucher la fuite. 5. Vérifier et nettoyer le filtre du tuyau d'entrée. 6. Ayez une eau plus froide. 7. Débloquez le tuyau de sortie. 8. Remplacer le pistolet. 9. Déboucher la buse. 10. Contacter négociant de service Sears.
Le détergent ne se mélange pas avec le jet.	<ol style="list-style-type: none"> 1. Le tube n'est pas submergé. 2. Le tube est bouché. 3. Buse à haute pression installée. 4. Vérifiez si la bille est emprisonnée dans le système de siphonnement du détergent. 	<ol style="list-style-type: none"> 1. Insérer le tube dans le détergent. 2. Nettoyer ou remplacer le tube. 3. Remplacez la buse par la buse à basse pression. 4. Libérez la bille de retenue tel que décrit dans <i>Bille de retenue de siphonnement de détergent</i>.
Le moteur tourne sans charge mais cale quand une charge est ajoutée.	Vitesse trop lente du moteur.	Mettre l'accélérateur sur FAST. Si le moteur continue à caler contacter négociant de service Sears.
Le moteur ne démarre pas, se apaga durante la operación, ou il démarre et a des ratés.	<ol style="list-style-type: none"> 1. Bas niveau d'huile. 2. Filtre à air encrassé. 3. Panne d'essence. 4. Essence éventée. 5. Fil de bougie non branché à la bougie. 6. Bougie défectueuse. 7. Eau présente dans l'essence. 8. Mélange d'essence trop riche. 	<ol style="list-style-type: none"> 1. Remplissez le carter au niveau requis. 2. Nettoyez ou remplacez le filtre à air. 3. Faites le plein du réservoir. 4. Vidangez le réservoir; faites le plein avec de l'essence nouvelle. 5. Branchez le fil à la bougie. 6. Remplacez la bougie. 7. Vidangez le réservoir; faites le plein avec de l'essence nouvelle. 8. Contacter négociant de service Sears.
Manque de puissance du moteur.	Filtre à air encrassé.	Remplacez le filtre à air.

REMARQUES

GARANTIE DU DISPOSITIF ANTIPOLLUTION

Énoncé de garantie du dispositif antipollution pour la Californie, l'U.S. EPA et du Sears

Vos droits et obligations relatifs à la garantie

La California Air Resources Board, U.S. EPA et Sears Brands Management Corporation, U.S.A. (Sears) sont heureux de vous expliquer la garantie couvrant le dispositif antipollution du moteur/équipement de l'année de modèle 2014-2015. En Californie, les nouveaux petits moteurs hors route et les gros moteurs à explosion de cylindrée de moins de ou égal à 1,0 litre doivent être conçus, fabriqués et équipés pour satisfaire les normes sévères anti-smog de l'état. B&S doit garantir le dispositif antipollution de ce moteur/équipement pendant la durée indiquée ci-dessous sous réserve de l'absence d'abus, négligence ou mauvais entretien de ce moteur/équipement.

Votre dispositif antipollution peut comprendre des pièces comme le carburateur ou le système d'injection de combustible, le système d'allumage et le convertisseur catalytique. Il peut aussi y avoir des tuyaux, des courroies, des connecteurs, des capteurs et d'autres dispositifs en rapport avec les émissions. Le système de contrôle de l'évaporation de carburant peut comprendre des pièces telles que : les carburateurs, les réservoirs d'essence, les canalisations d'essence, les bouchons d'essence, les soupapes, les filtres, les carters, les boyaux d'évaporation, les attaches, les raccords et autres composants associés. Dans le cas d'un défaut couvert par la garantie, Sears réparera votre moteur/équipement sans frais et ce, incluant le diagnostic, les pièces et la main d'œuvre.

Couverture de garantie du fabricant :

Les petits moteurs hors route et les gros moteurs à explosion de cylindrée inférieure ou égale à 1,0 litre, et tous les composants liés aux émissions de cet équipement, sont garantis pendant deux ans*. Si une pièce antipollution du moteur/matériel couverte par la garantie est défectueuse, Sears la réparera ou la remplacera.

* Pendant deux ans ou pendant la période figurant sur le certificat de garantie respectif du moteur ou du produit si elle est supérieure à deux ans.

Responsabilités de la garantie du propriétaire :

* En tant que propriétaire moteur/équipement, vous êtes responsable de l'exécution de l'entretien requis indiqué dans le manuel d'utilisation. Sears recommande de conserver tous les reçus en rapport avec l'entretien du moteur/équipement; toutefois, Sears ne peut refuser la garantie uniquement parce que vous êtes dans l'impossibilité de produire les reçus ou que vous n'avez pas effectué toutes les étapes de l'entretien prévu.

* Néanmoins, vous devez savoir, en tant que propriétaire de moteur/équipement, que Sears peut refuser le bénéfice de la garantie si votre moteur/équipement, ou une pièce, est défectueux en raison d'abus, de négligence, d'entretien inadéquat ou de modifications non approuvées.

* Dès qu'un problème survient, vous avez la responsabilité de faire examiner votre moteur/équipement dans un centre de distribution Sears, un centre de services ou une entité équivalente, selon le cas. Les réparations couvertes par la garantie doivent être effectuées dans un délai raisonnable, n'excédant pas 30 jours. Si vous avez des questions au sujet de vos droits et responsabilités liés à la garantie, veuillez communiquer avec un représentant de Sears au 1-800-444-7774 (aux É.-U.) ou www.craftsman.com/warranty.

Dispositions de la garantie contre les défauts du dispositif antipollution de Sears

Les dispositions qui suivent sont spécifiques à la couverture de garantie des défauts du dispositif antipollution. Elle est un ajout à la garantie sur les moteurs de Sears pour les moteurs non régulés, figurant dans le manuel d'utilisation.

1. Pièces d'émissions garanties
La couverture de cette garantie n'englobe que les pièces énumérées ci-dessous (pièces du dispositif antipollution) dans la mesure où ces pièces étaient présentes sur le moteur et/ou le système d'alimentation fourni.
 - a. Système de contrôle d'alimentation en carburant
 - Dispositif d'enrichissement pour démarrage à froid (étrangleur à glissement)
 - Carburateur et pièces internes
 - Pompe à carburant
 - Conduit d'essence, raccords de conduit d'essence, brides de serrage
 - Réservoir d'essence, bouchon et attache
 - Absorbant de vapeurs d'essence
 - b. Circuit d'entrée d'air
 - Filtre à air
 - Collecteur d'admission
 - Ligne de purge et d'évacuation
 - c. Système d'allumage
 - Bougie(s) d'allumage
 - Système d'allumage à magnéto
 - d. Système de catalyseur
 - Convertisseur catalytique
 - Collecteur d'échappement
 - Système d'injection d'air ou soupape d'impulsion
 - e. Éléments divers utilisés dans les systèmes précédemment mentionnés
 - Soupapes et interrupteurs de dépression, de température, de position, à délai critique
 - Connecteurs et dispositifs
2. Durée de la couverture
Pendant une période de deux ans à compter de la date de l'achat initial*, Sears garantit à l'acheteur initial et à tout acheteur suivant que le moteur a été conçu, construit et équipé conformément à toutes les réglementations applicables adoptées par le Air Resources Board ; qu'il est dépourvu de défauts matériels et de fabrication pouvant provoquer le dysfonctionnement d'une pièce couverte par

la garantie ; et qu'il est identique en tous points matériels au moteur décrit dans la demande de certification du fabricant. La période de garantie commence à la date d'achat initial du moteur.

- * Pendant deux ans ou pendant la période figurant sur le certificat de garantie respectif du moteur ou du produit si elle est supérieure à deux ans.

La garantie sur les pièces antipollution est la suivante :

- Toute pièce couverte par la garantie dont le remplacement n'est pas planifié dans le cadre de l'entretien obligatoire décrit dans le manuel d'utilisation fourni est garantie pendant la période indiquée ci-dessus. Si une telle pièce fait défaut pendant la période de couverture de la garantie, la pièce sera réparée ou remplacée par Sears sans frais pour le propriétaire. Cette pièce réparée ou remplacée dans le cadre de la garantie restera garantie pendant la période de garantie restante.
 - Toute pièce couverte par la garantie dont seul l'examen est planifié dans le manuel d'utilisation fourni est garanti pendant la période indiquée ci-dessus. Cette pièce réparée ou remplacée dans le cadre de la garantie restera garantie pendant la période de garantie restante.
 - Toute pièce couverte par la garantie dont le remplacement fait partie de l'entretien obligatoire dans le manuel d'utilisation est garantie pendant la période précédant le premier point de remplacement prévu pour cette pièce. Si la pièce fait défaut avant le remplacement prévu, la pièce sera réparée ou remplacée par Sears sans frais pour le propriétaire. Toute pièce réparée ou remplacée en vertu de la garantie sera garantie pendant la durée restant à courir de la période précédant le premier point de remplacement prévu pour la pièce.
 - Les pièces ajoutées ou modifiées ne faisant pas partie d'une exemption par Air Resources Board ne doivent pas être utilisées. L'utilisation de pièces ajoutées ou modifiées qui ne font pas l'objet d'une exemption, sera une cause de refus de demande de garantie. Le fabricant n'a pas la responsabilité de garantir les défauts des pièces garanties causées par l'utilisation de pièces ajoutées ou modifiées qui ne font pas partie d'une exemption.
3. Protection consécutive
La couverture s'étend à toute défaillance de l'un des composants du moteur consécutive à la défaillance d'une des pièces garanties encore couverte par la garantie.
4. Exclusions de demande et de protection
Les réclamations au titre de la garantie doivent être présentées conformément aux dispositions de la politique de garantie du moteur de Sears. La protection de garantie ne s'applique pas aux défaillances de pièces de contrôle d'émissions qui ne sont des pièces d'équipement d'origine Sears, ni aux défaillances de pièces causées par l'abus, la négligence ou un mauvais entretien tels qu'énoncés dans les dispositions de garantie Sears du moteur. Sears n'est pas responsable de la couverture sous garantie du dysfonctionnement des pièces antipollution provoqué par l'utilisation de pièces supplémentaires ou modifiées.

Rechercher la période de durabilité des émissions et l'indice de pollution atmosphérique sur l'étiquette d'émissions du moteur

La norme sur les émissions et l'indice de pollution atmosphérique doivent être fournis avec les moteurs qui répondent aux normes relatives aux émissions de la California Air Resources Board (CARB). Briggs & Stratton rend cette information disponible aux consommateurs sur les étiquettes des émissions. L'étiquette des émissions du moteur fournit des renseignements sur la certification.

La **période de durabilité des émissions** décrit le nombre d'heures pendant lesquelles le moteur peut fonctionner en respectant les normes relatives aux émissions, en supposant que l'entretien est effectué conformément au manuel d'utilisation. Les catégories utilisées sont les suivantes :

Modéré : Les moteurs de 80 cc de cylindrée et moins peuvent fonctionner pendant 50 heures tout en respectant la norme relative aux émissions. Les moteurs de plus de 80 cc de cylindrée peuvent fonctionner pendant 125 heures tout en respectant la norme relative aux émissions.

Intermédiaire : Les moteurs de 80 cc de cylindrée et moins peuvent fonctionner pendant 125 heures tout en respectant la norme relative aux émissions. Les moteurs de plus de 80 cc de cylindrée peuvent fonctionner pendant 250 heures tout en respectant la norme relative aux émissions.

Prolongé : Les moteurs de 80 cc de cylindrée et moins peuvent fonctionner pendant 300 heures tout en respectant la norme relative aux émissions. Les moteurs de plus de 80 cc de cylindrée peuvent fonctionner pendant 500 heures tout en respectant la norme relative aux émissions.

Par exemple, l'utilisation d'une tondeuse poussée est d'environ 20 à 25 heures par année. Donc, la **période de durabilité des émissions** pour un moteur avec un classement **intermédiaire** équivaut de 10 à 12 années.

Les moteurs Briggs & Stratton sont certifiés conformes aux normes de phase 2 ou phase 3 sur les émissions de l'USEPA (United States Environmental Protection Agency). La période de conformité des émissions indiquée sur l'étiquette de conformité des émissions indique le nombre d'heures de fonctionnement pendant lesquelles le moteur a démontré qu'il respectait les exigences fédérales en matière d'émissions.

Pour les moteurs de moins de 80 cc de cylindrée:

Catégorie C = 50 heures, Catégorie B = 125 heures, Catégorie A = 300 heures

Pour les moteurs supérieurs à 80 cc de cylindrée et inférieurs à 225 cc de cylindrée :

Catégorie C = 125 heures, Catégorie B = 250 heures, Catégorie A = 500 heures

Pour les moteurs de 225 cc et plus de cylindrée:

Catégorie C = 250 heures, Catégorie B = 500 heures, Catégorie A = 1 000 heures

Get it fixed, at your home or ours!

Your Home

For troubleshooting, product manuals and expert advice:



www.managemylife.com

For repair – **in your home** – of **all** major brand appliances, lawn and garden equipment, or heating and cooling systems, **no matter who made it, no matter who sold it!**

For the replacement parts, accessories and owner's manuals that you need to do-it-yourself.

For Sears professional installation of home appliances and items like garage door openers and water heaters.

1-800-4-MY-HOME[®] (1-800-469-4663)

Call anytime, day or night (U.S.A. and Canada)

www.sears.com www.sears.ca

Our Home

For repair of carry-in items like vacuums, lawn equipment, and electronics, call anytime for the location of your nearest

Sears Parts & Repair Service Center

1-800-488-1222 (U.S.A.)

www.sears.com

1-800-469-4663 (Canada)

www.sears.ca

To purchase a protection agreement on a product serviced by Sears:

1-800-827-6655 (U.S.A.)

1-800-361-6665 (Canada)

Para pedir servicio de reparación a domicilio, y para ordenar piezas:

1-888-SU-HOGAR[®]

(1-888-784-6427)

www.sears.com

Au Canada pour service en français:

1-800-LE-FOYER^{MC}

(1-800-533-6937)

www.sears.ca

The Sears logo, consisting of the word "sears" in a lowercase, serif font, with a horizontal line passing through the middle of the letters.

® Registered Trademark / TM Trademark of KCD IP, LLC in the United States, or Sears Brands, LLC in other countries

® Marca Registrada / TM Marca de Fábrica de KCD IP, LLC en Estados Unidos, o Sears Brands, LLC in otros países

^{MC} Marque de commerce / ^{MD} Marque déposée de Sears Brands, LLC